



EUROPEAN ANTENNAS

Excellence through design
Creative in concept

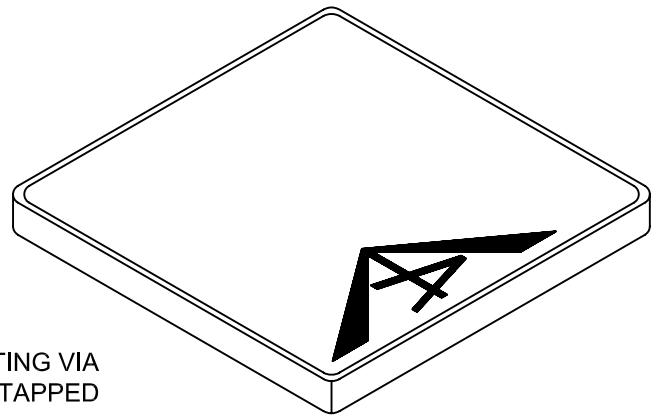
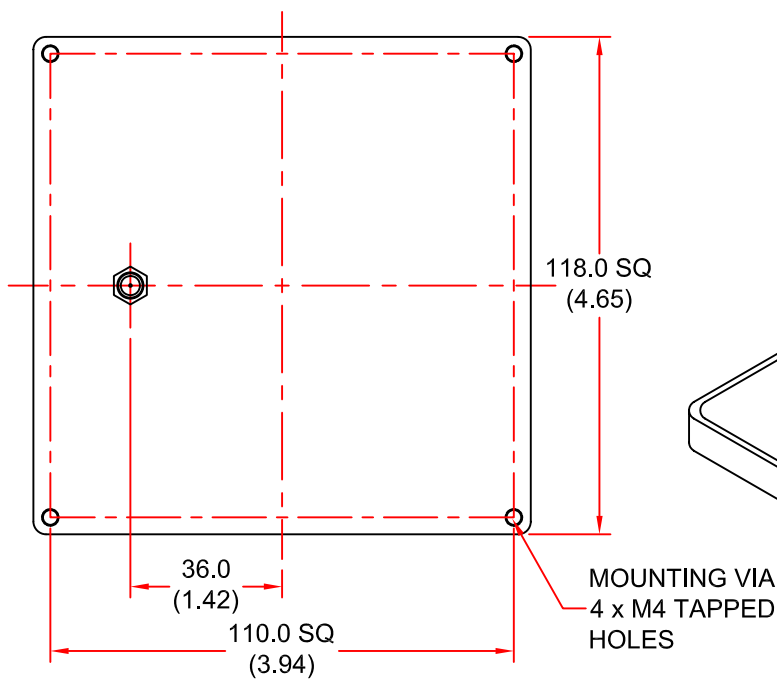


FLAT PANEL ANTENNA

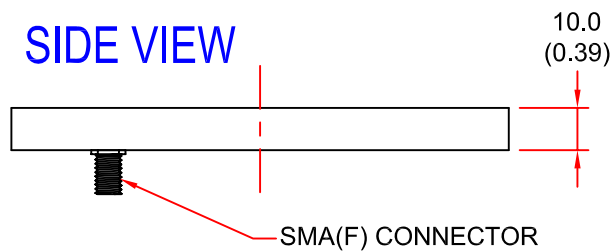
MODEL: FPA13-36L/804

FREQUENCY:	3.40 - 3.65 GHz	GAIN:	13 dBiC
POLARISATION:	L.H. Circular	BEAMWIDTH:	40° (Az) x 40° (El)
AXIAL RATIO:	3 dB Typical	VSWR:	1.5 : 1
POWER RATING:	10 W	FRONT TO BACK:	30 dB
TEMPERATURE:	-20°C to +50°C	MASS:	< 1 kg
FINISH:	Gloss White Paint	WIND LOADING:	2.3 Kg / 5.0 lbs @ 100 mph

REAR VIEW



SIDE VIEW



ISOMETRIC VIEW

DIMENSIONS: mm (inches)

GA 804-1 Issued 220101

EUROPEAN ANTENNAS LTD.

LAMBDA HOUSE, CHEVELEY,
NEWMARKET, SUFFOLK, CB8 9RG,
UNITED KINGDOM.

TEL: +44 (0)1638 731888

FAX: +44 (0)1638 731999

E-Mail: sales@european-antennas.co.uk

Website: www.european-antennas.co.uk

European Antennas Ltd. has a policy of continuous development and therefore stress that the data contained on this sheet should be used for guidance only.