



3/4 inch-20 Twinax Tee Adapter Female-Male-Female

TECHNICAL DATA SHEET

PE9374

3/4 inch-20 Twinax Tee Adapter Female-Male-Female

Configuration

Connector 1	3/4"-20 Twinax Female
Impedance 1	95 Ohms
Connector 2	3/4"-20 Twinax Male
Impedance 2	95 Ohms
Connector 3	3/4"-20 Twinax Female
Adapter Design	Standard
Body Style	Tee

Mechanical Specifications

Size

Length, in [mm]	1.9 [48.26]
Width/Dia., in [mm]	0.865 [21.97]
Height, in [mm]	1.745 [44.32]

Connector 1

Type	3/4"-20 Twinax Female
Inner Conductor Material and Plating	Gold
Body Material and Plating	Brass, Nickel
Dielectric Type	PBT

Connector 2

Type	3/4"-20 Twinax Male
Inner Conductor Material and Plating	Gold
Coupling Nut Material and Plating	Brass, Nickel
Body Material and Plating	Brass, Nickel
Dielectric Type	PBT

Connector 3

Type	3/4"-20 Twinax Female
Inner Conductor Material and Plating	Gold
Body Material and Plating	Brass, Nickel
Dielectric Type	PBT

Click the following link (or enter part number in "SEARCH" on website) to obtain additional part information including price, inventory and certifications: [3/4 inch-20 Twinax Tee Adapter Female-Male-Female PE9374](#)

The information contained in this document is accurate to the best of our knowledge and representative of the part described herein. It may be necessary to make modifications to the part and/or the documentation of the part, in order to implement improvements. Pasternack reserves the right to make such changes as required. Unless otherwise stated, all specifications are nominal.



3/4 inch-20 Twinax Tee Adapter Female-Male-Female

TECHNICAL DATA SHEET

PE9374

Compliance Certifications (visit www.Pasternack.com for current document)

Plotted and Other Data

Notes:

Values at 25 °C, sea level

3/4 inch-20 Twinax Tee Adapter Female-Male-Female from Pasternack Enterprises has same day shipment for domestic and International orders. Our RF, microwave and fiber optic products maintain a 99% availability and are part of the broadest selection in the industry.

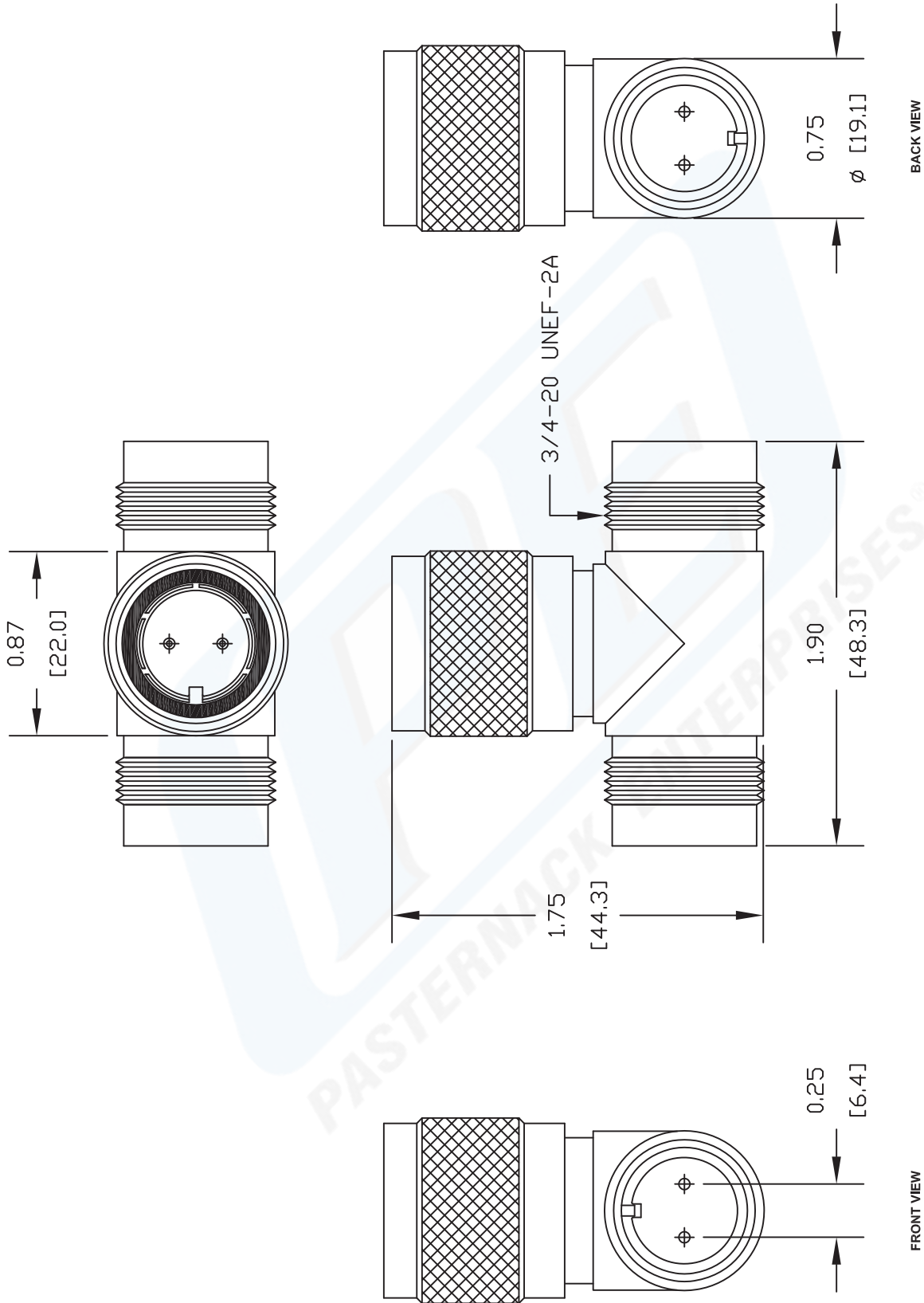
Click the following link (or enter part number in "SEARCH" on website) to obtain additional part information including price, inventory and certifications: [3/4 inch-20 Twinax Tee Adapter Female-Male-Female PE9374](http://www.pasternack.com/3-4-inch-20-female-male-female-tee-adapter-pe9374)

URL: <http://www.pasternack.com/3-4-inch-20-female-male-female-tee-adapter-pe9374-p.aspx>

The information contained in this document is accurate to the best of our knowledge and representative of the part described herein. It may be necessary to make modifications to the part and/or the documentation of the part, in order to implement improvements. Pasternack reserves the right to make such changes as required. Unless otherwise stated, all specifications are nominal.

PE9374 CAD Drawing

3/4 inch-20 Twinax Tee Adapter Female-Male-Female



NOTES:
 1. UNLESS OTHERWISE SPECIFIED ALL DIMENSIONS ARE NOMINAL.
 2. ALL SPECIFICATIONS ARE SUBJECT TO CHANGE WITHOUT NOTICE AT ANY TIME.
 3. DIMENSIONS ARE IN INCHES [mm].

DWG TITLE

PE9374

PASTERNAK ENTERPRISES, INC.
 P O BOX 16759, IRVINE, CA 92623
 PHONE (949) 261-1920 FAX (949) 261-7451
 WEB ADDRESS: www.pasternack.com
 E-MAIL ADDRESS: sales@pasternack.com
COAXIAL & FIBER OPTICS



127

SIZE A

SCALE N/A

CAD FILE 052609

FSCM NO. 53919

REV. A