



Precision 75 Ohm F Male to BNC Male Adapter

TECHNICAL DATA SHEET

PE9742

Precision 75 Ohm F Male to BNC Male Adapter

Configuration

Connector 1	F Male
Impedance 1	75 Ohms
Connector 2	BNC Male
Impedance 2	75 Ohms
Adapter Design	Precision
Body Style	Straight

Electrical Specifications

Frequency Range, GHz	DC to 3
Maximum VSWR	1.3:1

Mechanical Specifications

Temperature

Operating Range, deg C	-65 to +125
------------------------	-------------

Size

Length, in [mm]	1.44 [36.58]
Width/Dia., in [mm]	0.57 [14.48]

Connector 1

Type	F Male
------	--------

Connector 2

Type	BNC Male
------	----------

Compliance Certifications (visit www.Pasternack.com for current document)

RoHS Compliant	Yes
----------------	-----

Click the following link (or enter part number in "SEARCH" on website) to obtain additional part information including price, inventory and certifications: [Precision 75 Ohm F Male to BNC Male Adapter PE9742](#)

The information contained in this document is accurate to the best of our knowledge and representative of the part described herein. It may be necessary to make modifications to the part and/or the documentation of the part, in order to implement improvements. Pasternack reserves the right to make such changes as required. Unless otherwise stated, all specifications are nominal.





Precision 75 Ohm F Male to BNC Male Adapter

TECHNICAL DATA SHEET

PE9742

Plotted and Other Data

Notes:

Values at 25 °C, sea level

BNC Connector Mates Only With Other 75 OHM Connectors Mating With 50 OHM Connector May Damage Center Contact.

Precision 75 Ohm F Male to BNC Male Adapter from Pasternack Enterprises has same day shipment for domestic and International orders. Our RF, microwave and fiber optic products maintain a 99% availability and are part of the broadest selection in the industry.

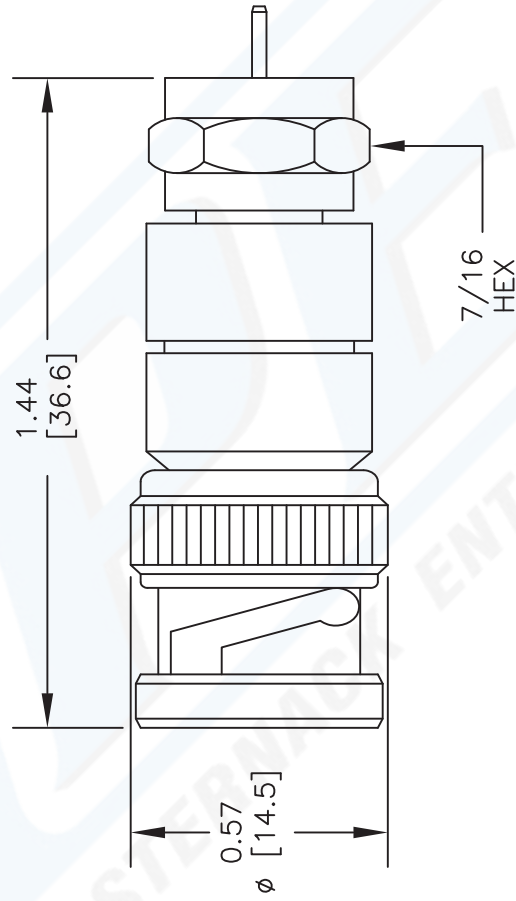
Click the following link (or enter part number in "SEARCH" on website) to obtain additional part information including price, inventory and certifications: [Precision 75 Ohm F Male to BNC Male Adapter PE9742](http://www.pasternack.com/f-male-bnc-male-straight-adapter-pe9742-p.aspx)

URL: <http://www.pasternack.com/f-male-bnc-male-straight-adapter-pe9742-p.aspx>

The information contained in this document is accurate to the best of our knowledge and representative of the part described herein. It may be necessary to make modifications to the part and/or the documentation of the part, in order to implement improvements. Pasternack reserves the right to make such changes as required. Unless otherwise stated, all specifications are nominal.

PE9742 CAD Drawing

Precision 75 Ohm F Male to BNC Male Adapter



NOTES:
 1. UNLESS OTHERWISE SPECIFIED ALL DIMENSIONS ARE NOMINAL.
 2. ALL SPECIFICATIONS ARE SUBJECT TO CHANGE WITHOUT NOTICE AT ANY TIME.
 3. DIMENSIONS ARE IN INCHES [mm].

DWG TITLE
PE9742

FSCM NO. 53919

2233

SIZE A

SCALE N/A

CAD FILE 051313

PE PASTERNAK®
 Pasternack Enterprises, Inc.
 P.O. Box 16759 | Irvine | CA | 92623
Phone: (949) 261-1920 | **Fax:** (949) 261-7451
Website: www.pasternack.com | **E-Mail:** sales@pasternack.com