

## Drop-in Circulators

Part Number: KTDC102M1-4

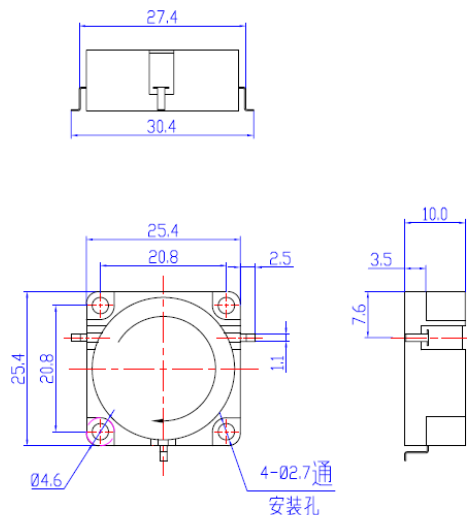
### Main Features:

- Frequency Range: 835 - 880MHz, 930 - 960MHz
- Small Size, High Isolation, Low Insertion Loss, High Power Handling
- Wide Operating Temperature: -30°C~+70°C
- Commercial, Military and Space Applications

### Electrical Specifications at Room Temperature:

Part Number	Freq. Range (GHz)	Bandwidth Max. (MHz)	Insertion Loss Max. (dB)	Isolation Min. (dB)	VSWR Max.	Average Power (W)	Connector Type
KTDC102M1-4	0.835 - 0.880	Full	0.3	23	1.20	200	TAB
KTDC102M1-4	0.930 - 0.960	Full	0.3	23	1.20	200	TAB

### Mechanical Dimensions (mm):



### HOW TO ORDER

