



### 6.0GHz-18.0GHz 6-Way Power Divider

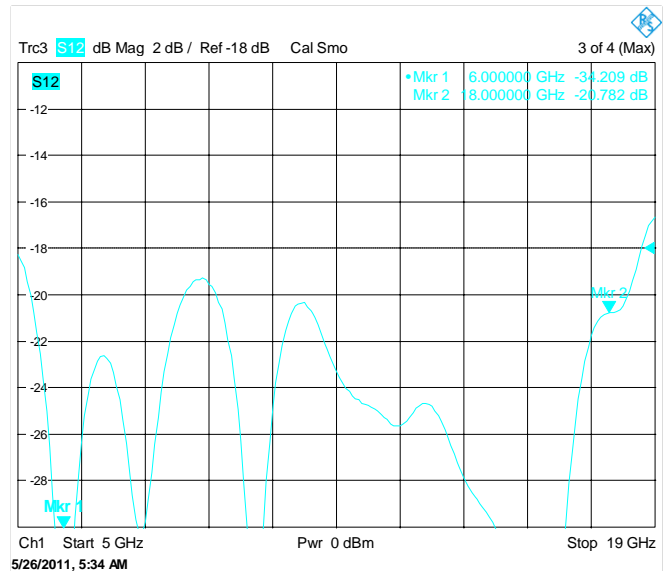
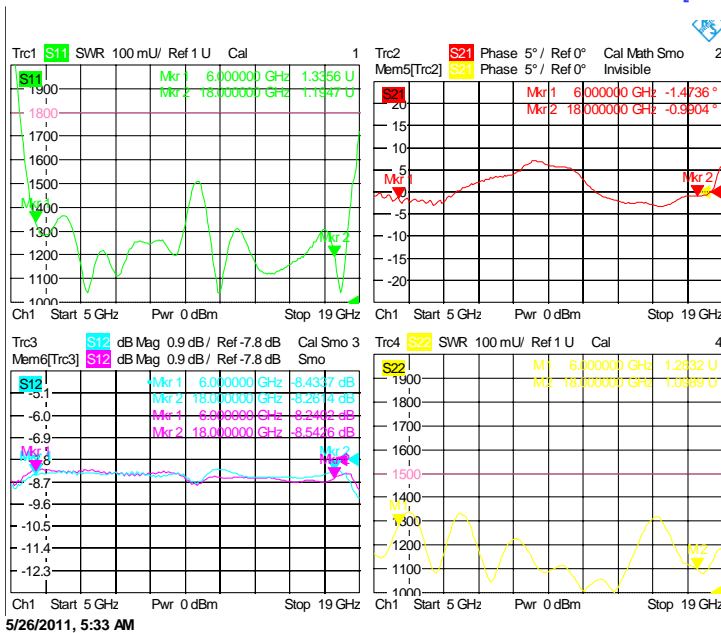
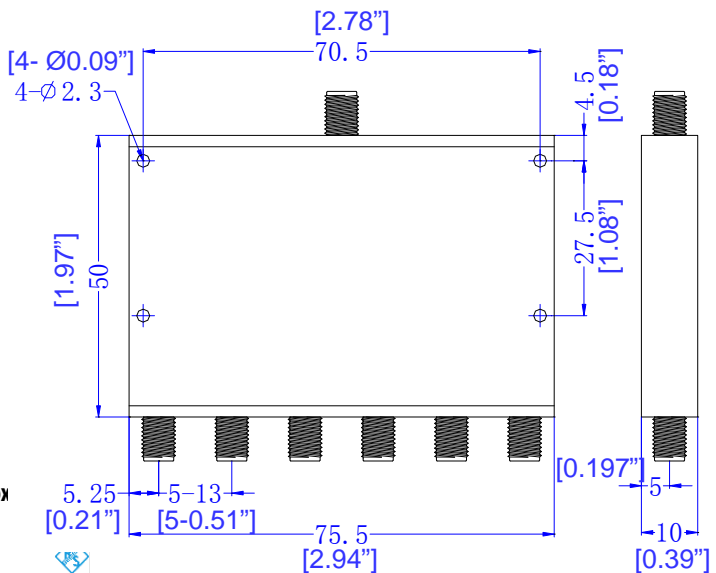


#### Wide Band Power Divider

- Very small package
- Excellent phase and amplitude balance
- Bi-Directional as divider and combiner \*
- Low Insertion loss and high isolation
- Standard: MIL E-5400, MIL E -16400
- High power handling capability
- \* 3W/2W maximum input when work as combiner.

#### Electrical Specifications:

Center Frequency Range:	6.0GHz-18.0GHz
Insertion Loss:	1.5dB
Amplitude Unbalance:	0.6dB
Phase unbalance:	8.0 degree
Isolation:	18dB
Input VSWR:	1.7:1
Output VSWR:	1.6:1
Temp. Range:	-40 °C ~ +85° C
Forward Power Handling:	20W (CW)
Reverse Power Handling:	3W (CW)
Connector:	SMA-F
Finishing:	Black Paint Epox



6.0GHz-18.0GHz 6-Way Power Divider