



RF-LAMBDA

The power beyond expectations

RFLT4W4G18G



4.0GHz-18.0GHz 4-Way Power Divider

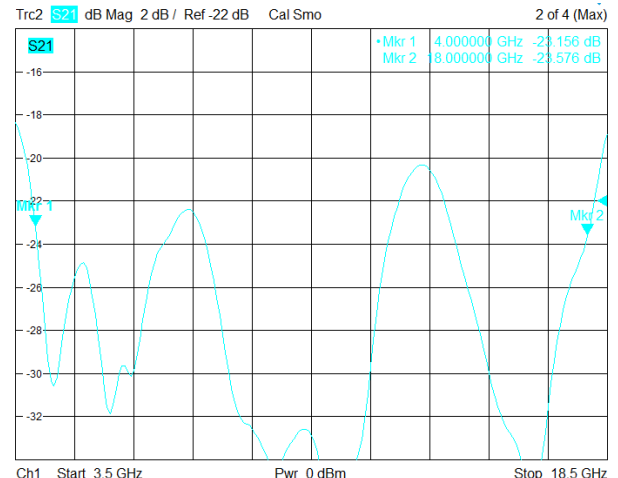
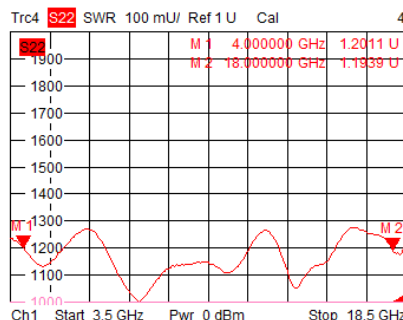
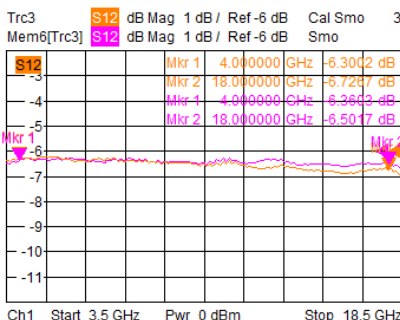
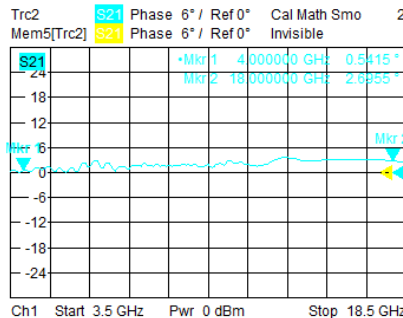
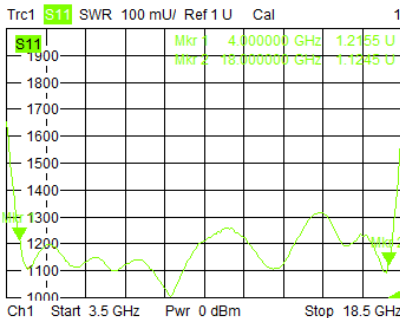
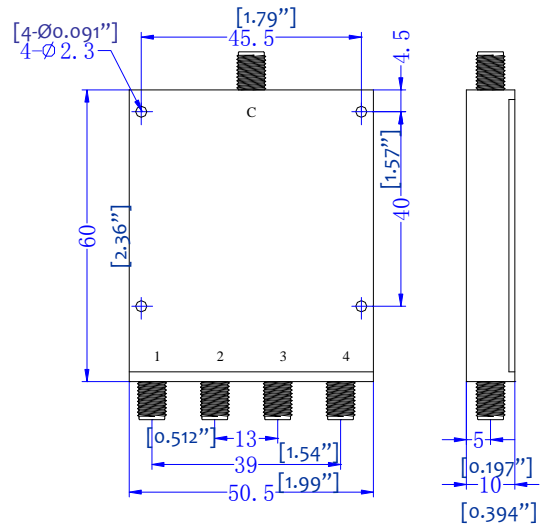
Wide Band Power Divider

- Very small package
- Excellent phase and amplitude balance
- Bi-Directional as divider and combiner *
- Low Insertion loss and high isolation
- Standard: MIL E-5400, MIL E -16400
- High power handling capability

* 3W/2W maximum input when work as combiner.

Electrical Specifications:

Center Frequency Range:	4.0GHz-18.0GHz
Insertion Loss:	1.3dB
Amplitude Unbalance:	0.4dB
Phase unbalance:	5.0 degree
Isolation:	18dB
Input VSWR:	1.6:1
Output VSWR:	1.6:1
Temp. Range:	-40 °C~+85° C
Forward Power Handling:	20W (CW)
Reverse Power Handling:	3W (CW)
Connector:	SMA-F
Finishing:	Black Paint Epoxy cover



4.0GHz-18.0GHz 4-Way Power Divider