



EUROPEAN ANTENNAS

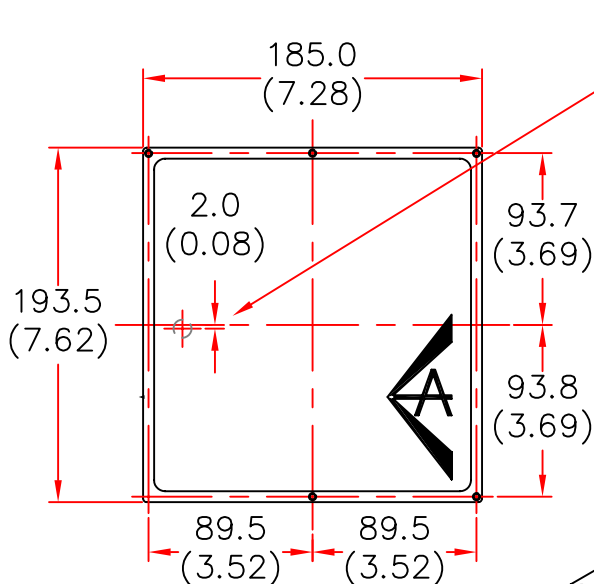


FLAT PANEL ANTENNA

MODEL: FPA23-109V-D1/192

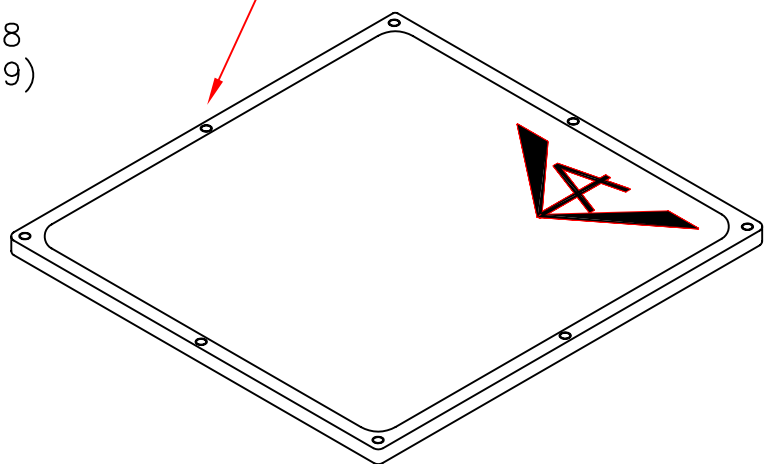
FREQUENCY: 10.0 – 11.5 GHz	GAIN: 23 dBi
POLARISATION: Linear	BEAMWIDTH: 10° x10°
CROSS POLAR: 20 dB	VSWR: 2 : 1 Max
POWER RATING: 5 W	FRONT TO BACK: 40 dB
TEMPERATURE: -20°C to +50°C	MASS: 0.5 Kg/1.1 lbs
RADOME: Glass Fibre/Dark Brown	WIND LOADING: 5.8Kg/12.8lbs @100mph

PLAN VIEW

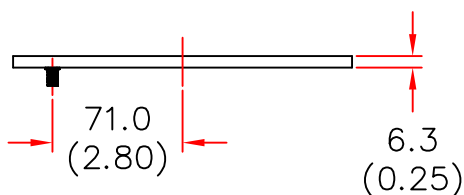


SMA(F) CONNECTOR
(ON REAR)

MOUNTING VIA
6 X M4.0 HOLES



SIDE VIEW



ISOMETRIC VIEW

DIMENSIONS: mm (inches)

GA 192-1 Issued 100197

EUROPEAN ANTENNAS LTD.

TEL: +44 (0)1638 731888

LAMBDA HOUSE, CHEVELEY,
NEWMARKET, SUFFOLK, CB8 9RG,
UNITED KINGDOM.

FAX: +44 (0)1638 731999

European Antennas Ltd. has a policy of continuous development and therefore stress that the data contained on this sheet should be used for guidance only.