

SMP-F RG178 RG196

SC5172

SPECIFICATIONS

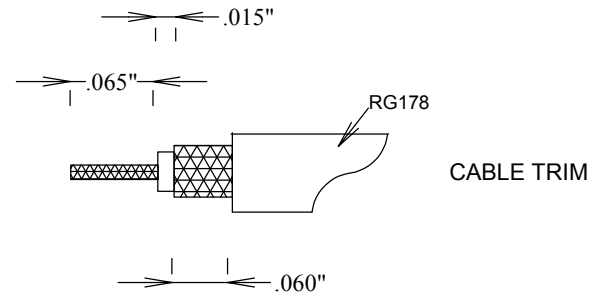
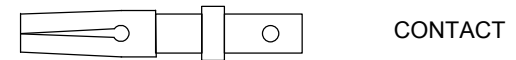
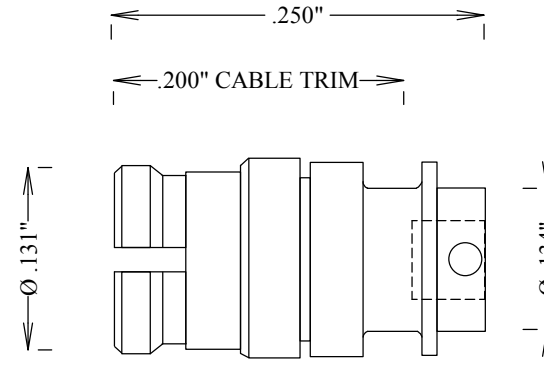
ELECTRICAL:

FREQUENCY: 0-3 GHZ
IMPEDANCE: 50 OHMS
OP. TEMP RANGE: -55° to +125°C

MECHANICAL:

MATERIAL BODY: BeCu
CENTER CONTACTS: BeCu
PLATING: Au PER MIL-G-45204
INSULATOR: TEFLON
INTERFACE: SMP DESC 94008
ROHS COMPLIANT

SMP-F
DESC 94008



FAIRVIEW MICROWAVE INC.

ALLEN, TX 75013 WWW.FAIRVIEWMICROWAVE.COM

TITLE

SMP-F RG178 RG196

SIZE	CAGE CODE	DWG NO	REV
A	3FKR5	SC5172	--

SCALE	SHEET