



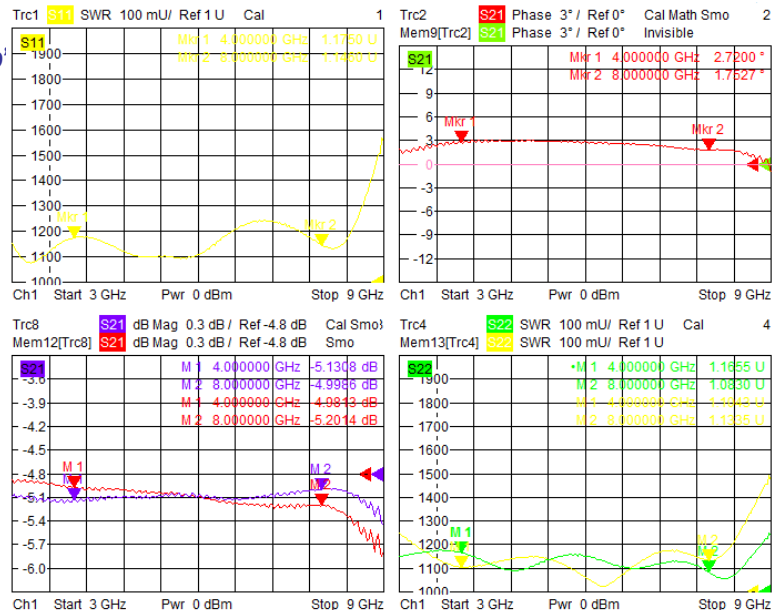
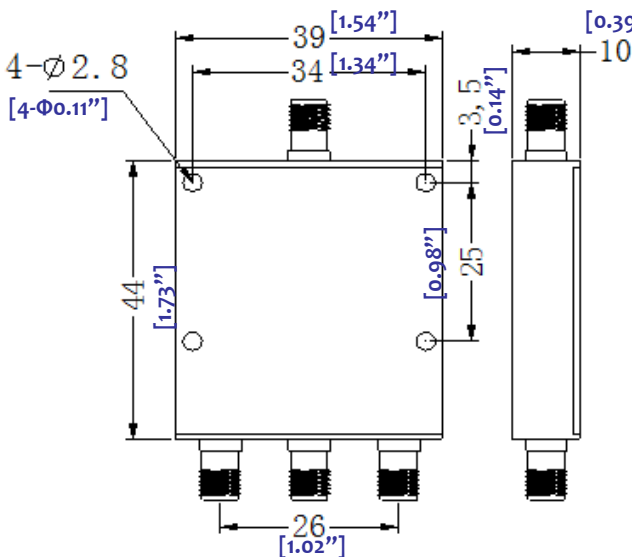
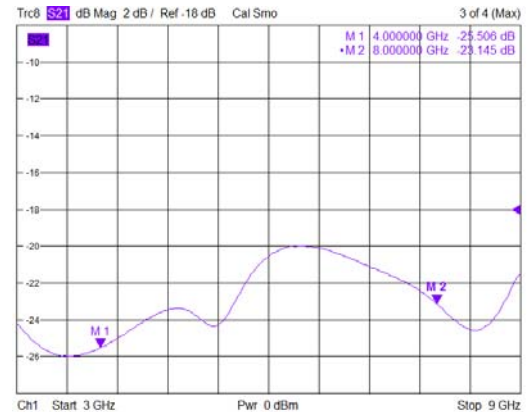
4GHz-8GHz 3-Way Power Divider



Wide Band Power Divider

- Very small package
- Excellent phase and amplitude balance
- Bi-Directional as divider and combiner *
- Low Insertion loss and high isolation
- Standard: MIL E-5400, MIL E-16400
- 10W forward power handling capability
- * 2W maximum input when work as combiner.

No.	Parameter	Minimum	Typical	Maximum	Units
1	Frequency range	4	-	8	Ghz
2	Isolation	18	-	-	dB
3	Insertion Loss	-	-	0.7	dB
4	VSWR input			1.4	
	VSWR output			1.3	
5	Phase Unbalance			± 6	$^{\circ}$
6	Amplitude Unbalance			± 0.4	dB
7	Forward Power			30	W cw
	Reverse Power			2	W cw
8	Operating	-40	-	+70	$^{\circ}\text{C}$
9	Impedance	-	50	-	Ω
10	Finish	Gray Paint			



4GHz-8GHz 3-Way Power Divider