



50 Ohm 2 Watts Tri-Metal Plated Brass 7/16
DIN Male RF Load Up To 6 GHz

TECHNICAL DATA SHEET

PE6196

50 Ohm 2 Watts Tri-Metal Plated Brass 7/16 DIN Male RF Load Up To 6 GHz

Configuration

Connector	7/16 DIN Male
Heat Sink	Brass, Tri-Metal
Connection Method	Standard
Body Style	Straight

Electrical Specifications

Frequency Range, GHz	DC to 6
Impedance, Ohms	50
Maximum VSWR	1.2:1
Maximum Input Power, Watts	2

Frequency 1

Frequency, GHz	DC to 4
VSWR	1.1:1

Mechanical Specifications

Temperature

Operating Range, deg C	-45 to +120
------------------------	-------------

Size

Length, in [mm]	1.45 [36.83]
Width/Dia., in [mm]	1.45 [36.83]

Connector

Type	7/16 DIN Male
Inner Conductor Material and Plating	Brass, Silver
Coupling Nut Material and Plating	Brass, Tri-Metal
Hex Size, mm	32
Body Material and Plating	Brass, Tri-Metal

Compliance Certifications (visit www.Pasternack.com for current document)

RoHS Compliant	Yes
----------------	-----

Click the following link (or enter part number in "SEARCH" on website) to obtain additional part information including price, inventory and certifications: [50 Ohm 2 Watts Tri-Metal Plated Brass 7/16 DIN Male RF Load Up To 6 GHz PE6196](#)

The information contained in this document is accurate to the best of our knowledge and representative of the part described herein. It may be necessary to make modifications to the part and/or the documentation of the part, in order to implement improvements. Pasternack reserves the right to make such changes as required. Unless otherwise stated, all specifications are nominal.





50 Ohm 2 Watts Tri-Metal Plated Brass 7/16
DIN Male RF Load Up To 6 GHz

TECHNICAL DATA SHEET

PE6196

Plotted and Other Data

Notes:

Values at 25 °C, sea level

50 Ohm 2 Watts Tri-Metal Plated Brass 7/16 DIN Male RF Load Up To 6 GHz from Pasternack Enterprises has same day shipment for domestic and International orders. Our RF, microwave and fiber optic products maintain a 99% availability and are part of the broadest selection in the industry.

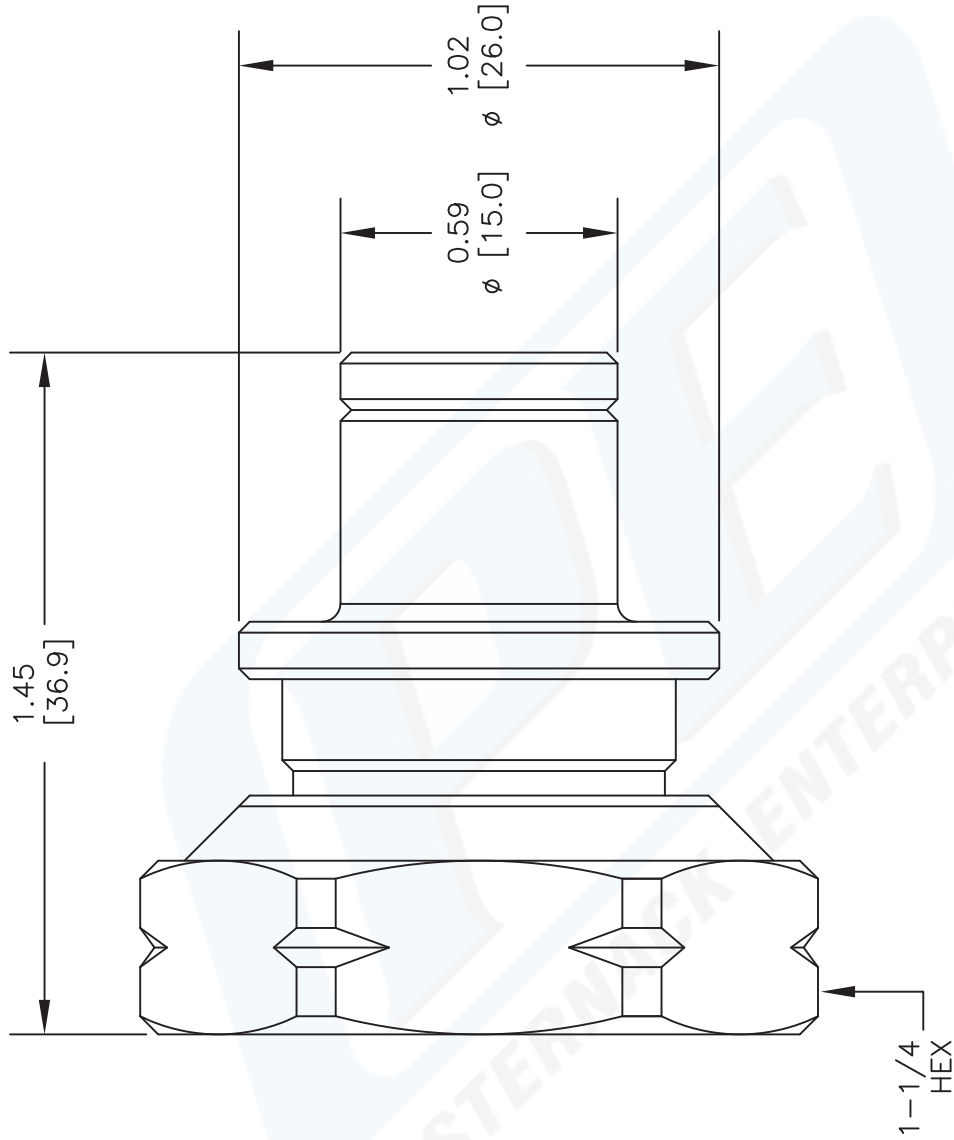
Click the following link (or enter part number in "SEARCH" on website) to obtain additional part information including price, inventory and certifications: [50 Ohm 2 Watts Tri-Metal Plated Brass 7/16 DIN Male RF Load Up To 6 GHz PE6196](http://www.pasternack.com/2-watts-7-16-male-rf-load-up-to-6-ghz-pe6196)

URL: <http://www.pasternack.com/2-watts-7-16-male-rf-load-up-to-6-ghz-pe6196-p.aspx>

The information contained in this document is accurate to the best of our knowledge and representative of the part described herein. It may be necessary to make modifications to the part and/or the documentation of the part, in order to implement improvements. Pasternack reserves the right to make such changes as required. Unless otherwise stated, all specifications are nominal.

PE6196 CAD Drawing

50 Ohm 2 Watts Tri-Metal Plated Brass 7/16 DIN Male RF Load Up To 6 GHz



7/16 DIN
MALE

DWG TITLE

PE6196

NOTES:
1. UNLESS OTHERWISE SPECIFIED ALL DIMENSIONS ARE NOMINAL.
2. ALL SPECIFICATIONS ARE SUBJECT TO CHANGE WITHOUT NOTICE AT ANY TIME.
3. DIMENSIONS ARE IN INCHES [mm].

FSCM NO. 53919

CAD FILE 101513

SCALE N/A

SIZE A

2233



PASTERNAK

Pasternack Enterprises, Inc.
P.O. Box 16759 | Irvine | CA | 92623
Phone: (949) 261-1920 | Fax: (949) 261-7451
Website: www.pasternack.com | E-Mail: sales@pasternack.com