

STANDARD GAIN HORN 20 DB GAIN WR42

SH142-20

SPECIFICATIONS

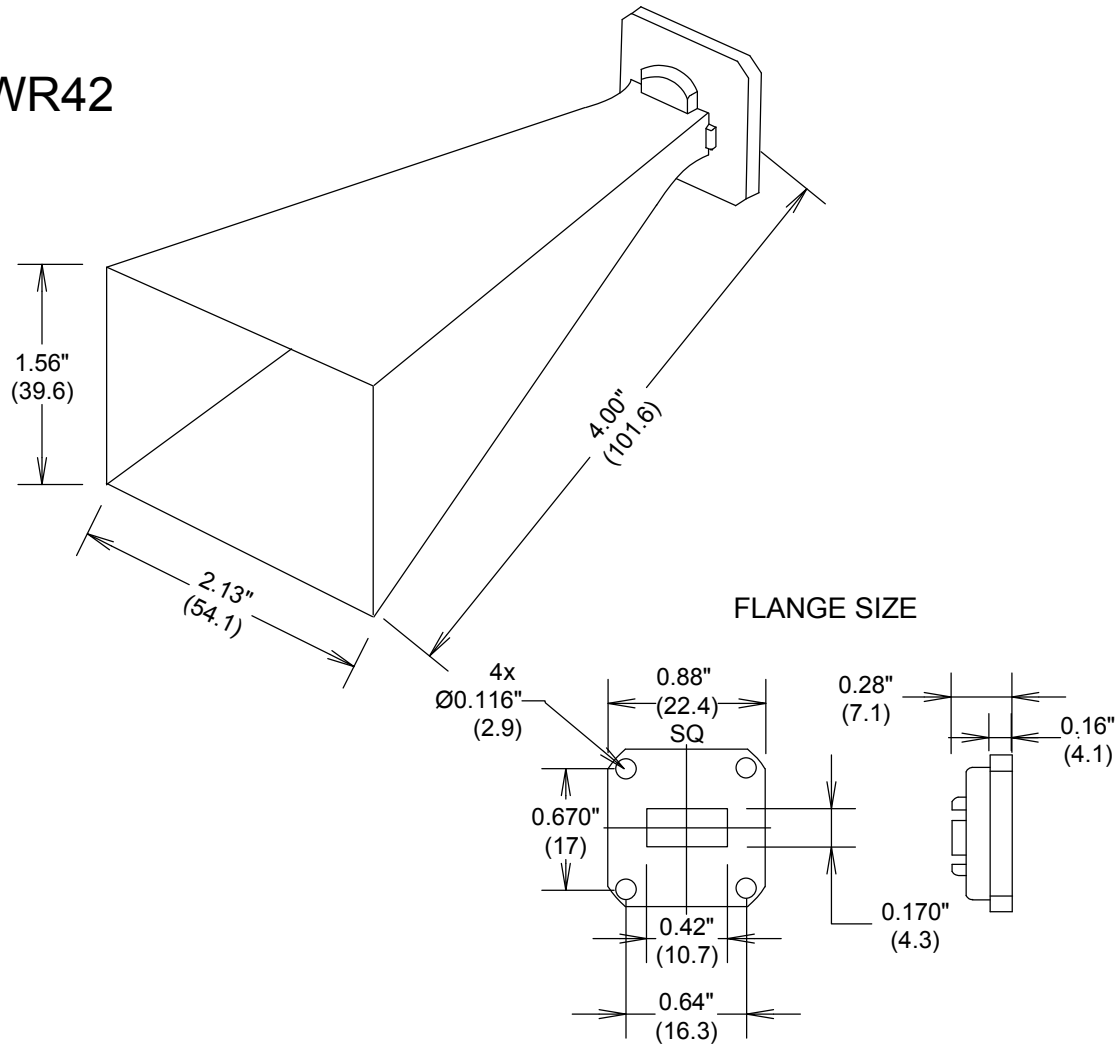
ELECTRICAL:

FREQUENCY: 18.0 - 26.5 GHZ
 TYPICAL GAIN VARIATION: ± 1.5 TO ± 2.0 DB
 GAIN*: 20 DB
 3 DB BEAM WIDTH*:
 E PLANE: 17.5°
 H PLANE: 17.8°

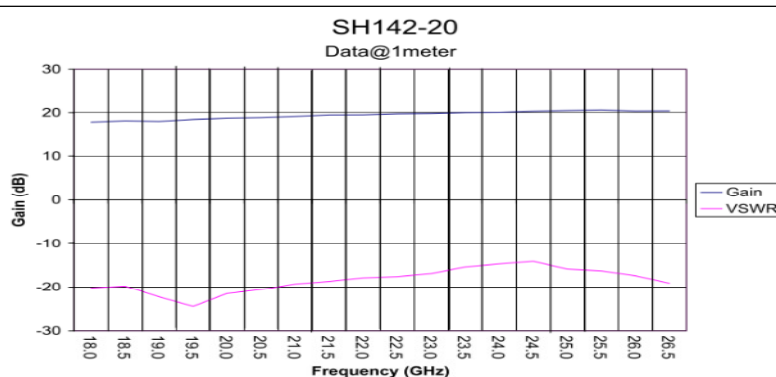
MATERIALS:

BODY/FLANGE: ALUMINIUM
 FINISH: UNIQUE CORROSION RESISTANT
 316 STAINLESS STEEL EPOXY COATING IAW MIL-F-14072

*GAIN & 3 DB BEAM WIDTH VALUES ARE
 CALCULATED BY COMPUTER SIMULATION



MEASUREMENTS BELOW ARE TYPICAL



ALL DIMENSIONS IN inches(mm) Typical

FAIRVIEW MICROWAVE INC.

ALLEN, TX 75013 WWW.FAIRVIEWMICROWAVE.COM

TITLE

STANDARD GAIN HORN 20 DB GAIN WR42

SIZE	CAGE CODE	DWG NO	REV
A	3FKR5	SH142-20	B
SCALE	SHEET		