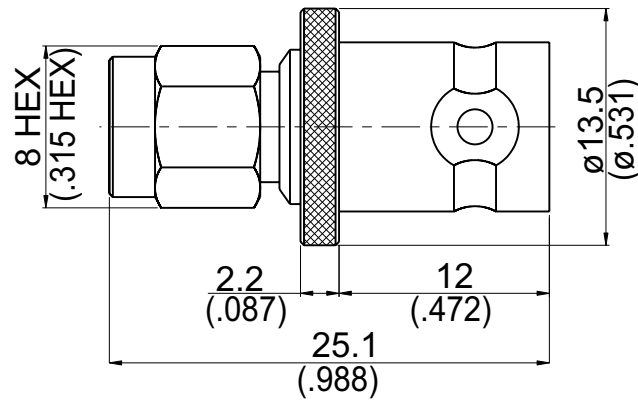


AD-A3B8

SMA Plug To BNC Jack

50Ω



Typical VSWR

Part Number	1 GHz	2 GHz	3 GHz	4 GHz	5 GHz
AD-A3B8	1.17	1.17	1.17	1.17	1.18

Parts	Material	Plating (Micro-inch)
Renber Ring	Phosphor Bronze	Tin-Zinc-Copper-Alloy 100 Over Copper 50
Gasket	Silicon	
Body(BNC)	Brass	Tin-Zinc-Copper-Alloy 100 Over Copper 50
Contact Pin	Phosphor Bronze	Gold 10 Over Nickel 50 Over Copper 50
Insulator	Teflon	
Body(SMA)	Brass	Gold 5 Over Nickel 50 Over Copper 50
Coupling Nut(SMA)	Brass	Gold 5 Over Nickel 50 Over Copper 50

Weight: 7.7 g

This part number complies with RoHS.

Notice: JYEBAO reserves the right to make modifications deemed appropriate.