

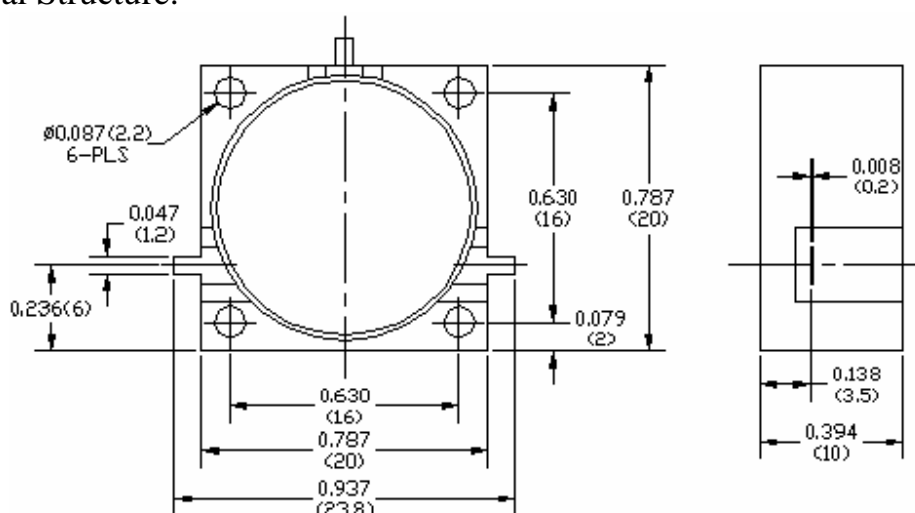
**Key Features:**

- Frequency range: 800~2700MHz, 30-400MHz bandwidth
- Drop-in configuration
- Small size, low cost
- Power handling +30 Watts
- Clockwise default circulation direction, specify otherwise
- Customer specify center frequency and bandwidth

**Electrical Specifications**

Part No.	Freq Range MHz	Insertion Loss, dB	Reverse Isolation, dB	VSWR	Forward Power, Watts	Temp. Range, °C
F1568-0089-15	860-960	0.6 Max	≥ 18	≤ 1.3	≥ 30	-30 ~ +60
F1568-0091-03	900~930	0.5 Max	≥ 22	≤ 1.2	≥ 30	-30 ~ +60
F1568-0094-04	920~960	0.5 Max	≥ 22	≤ 1.2	≥ 30	-30 ~ +60
F1568-0110-18	1000~1200	0.6 Max	≥ 18	≤ 1.3	≥ 30	-40 ~ +85
F1568-0127-06	1230~1310	0.5 Max	≥ 20	≤ 1.2	≥ 30	-40 ~ +85
F1568-0133-10	1260~1400	0.5 Max	≥ 20	≤ 1.2	≥ 30	-30 ~ +60
F1568-0190-02	1885~1915	0.4 Max	≥ 23	≤ 1.2	≥ 30	-30 ~ +60
F1568-0215-14	2000~2300	0.6 Max	≥ 20	≤ 1.2	≥ 30	-30 ~ +60
F1568-0235-13	2200~2500	0.5 Max	≥ 20	≤ 1.2	≥ 30	-30 ~ +60
F1568-0255-12	2400~2700	0.5 Max	≥ 20	≤ 1.2	≥ 30	-30 ~ +60

**Mechanical Structure:**



Note: All units in inches (mm).

Ordering Information:

F1568-XXXX-XX  
          ↓          ↓  
          Bandwidth, XX%,  
          ↓  
Frequency XX.XX GHz,