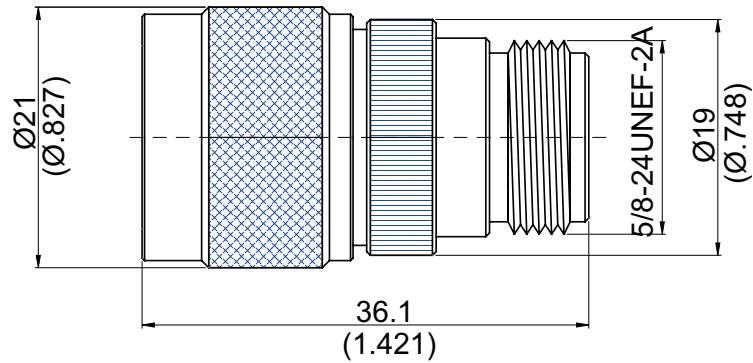


AD-N3N8-75	N Plug To N Jack	75Ω
------------	-------------------------	------------



Typical VSWR

Part Number	1 GHz	2 GHz	3 GHz
AD-N3N8-75	1.1	1.1	1.1

Parts	Material	Plating (Micro-inch)
Contact Pin	Brass	Gold 10 Over Nickel 50 Over Copper 50
Retainer Ring	Brass	Tin-Zinc-Copper-Alloy 100 Over Copper 50
Gasket	Silicon	
Contact Body	Brass	Tin-Zinc-Copper-Alloy 100 Over Copper 50
Contact Pin	Beryllium Copper	Gold 10 Over Nickel 50 Over Copper 50
Insulator	Teflon	
Body	Brass	Tin-Zinc-Copper-Alloy 100 Over Copper 50
Coupling Nut	Brass	Tin-Zinc-Copper-Alloy 100 Over Copper 50

Weight:

This part number complies with RoHS.

Notice: JYEBAO reserves the right to make modifications deemed appropriate.