

5

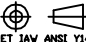
4

3

2

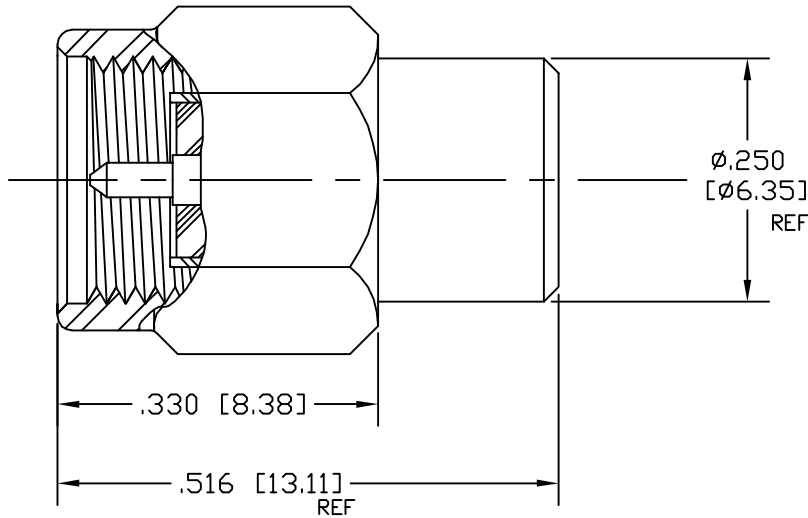
1

**PRODUCTION
RELEASE**

NOTE:
THIS DRAWING INCORPORATES
THIRD ANGLE PROJECTION.

INTERPRET IAW ANSI Y14.5-1992

REVISIONS

LTR	DESCRIPTION	DATE	APPROVED
-	RELEASED	8/6/10	A. Gagne



MATERIALS

INNER CONDUCTOR: BERYLLIUM COPPER PER ASTM B196 & B197.

OUTER CONDUCTOR: STEEL, CORROSION RESISTANT PER ASTM A484 & A582, CLASS 303, COND. A.

DIELECTRIC: TEFLON PER ASTM D1710.

FINISH

INNER CONDUCTOR: GOLD PLATED PER MIL-PRF-39012.

HOUSING/COUPLING NUT FINISH PER SUFFIX (REPLACING -XX IN PN)

- 00 OUTER CONDUCTOR/NUT GOLD PLATED
- 02 OUTER CONDUCTOR/NUT PASSIVATED SS
- 01 OUTER CONDUCTOR GOLD PLATED, NUT PASSIVATED SS

ELECTRICAL SPECIFICATIONS

VSWR: DC TO 4 GHz <1.08
 4 TO 12.4 GHz <1.15
 12.4 - 18.0 GHz <1.20

IMPEDANCE 50 OHMS

TEMPERATURE RANGE (°C) -55 TO +125

POWER (AVG) 3 WATTS**
 POWER (PEAK) (<math><5 \mu\text{SEC PW, } <1\% \text{ DUTY CYCLE}</math>) 500 WATTS

**POWER DERATES LINEARLY FROM 25°C TO 10% @+125°C

CONNECTOR INTERFACE COMPLIES WITH MIL-PRF-39012 AND MIL-STD-348 FOR SMA MATING CHARACTERISTICS.

DRAWING PRACTICES PER ANSI-Y-14.5 MIL-STD-100 & 1000 DIMENSIONS ARE IN INCHES AND APPLY BEFORE/AFTER PROCESSING	UNLESS OTHERWISE SPECIFIED TOLERANCES IN:		
	DECIMALS	INCH	MM
SURFACE ROUGHNESS (INCHES) 63 ✓	.X" .03"	[.76]	
	.XX" .010"	[.25]	
FINISH SEE NOTES	.XXX" .005"	[.127]	
	.XXXX" .0005"	[.013]	
MATERIAL SEE NOTES	ANGLES ±0°30'		
	REMOVE ALL BURRS/SHARP W/ BREAK / R OF .003" TO .0005" UNLESS OTHERWISE NOTED DIAS CONCENTRIC <math><.003 \text{ T.I.R.}</math>		

DRAWN M. TURNER	DATE
CHECKED	DATE
ENGINEER APPR.	DATE
THESE DRAWINGS AND SPECIFICATIONS ARE THE PROPERTY OF XMA CORP. OR OMNI SPECTRA AND SHALL NOT BE REPRODUCED, COPIED NOR USED - IN WHOLE OR IN PART - AS A BASIS FOR THE MANUFACTURE OR SALE OF OTHER ITEMS WITHOUT THE EXPRESS WRITTEN PERMISSION OF XMA CORP.	

XMA Powered by:
Omni Spectra®
 Phone:603-222-2256 Fax:603-222-2259
 150 Dow Street, Manchester, NH 03101

TITLE 3 WATT SMA TERMINATION 18.0 GHz			
SIZE B	CAGE CODE 3HT76	DRAWING NUMBER 2001-6147-0X	
SCALE 8:1	PLATED AREA SQ. IN	XXX	SHEET 1 OF 1

BCSI

5

4

3

2

1