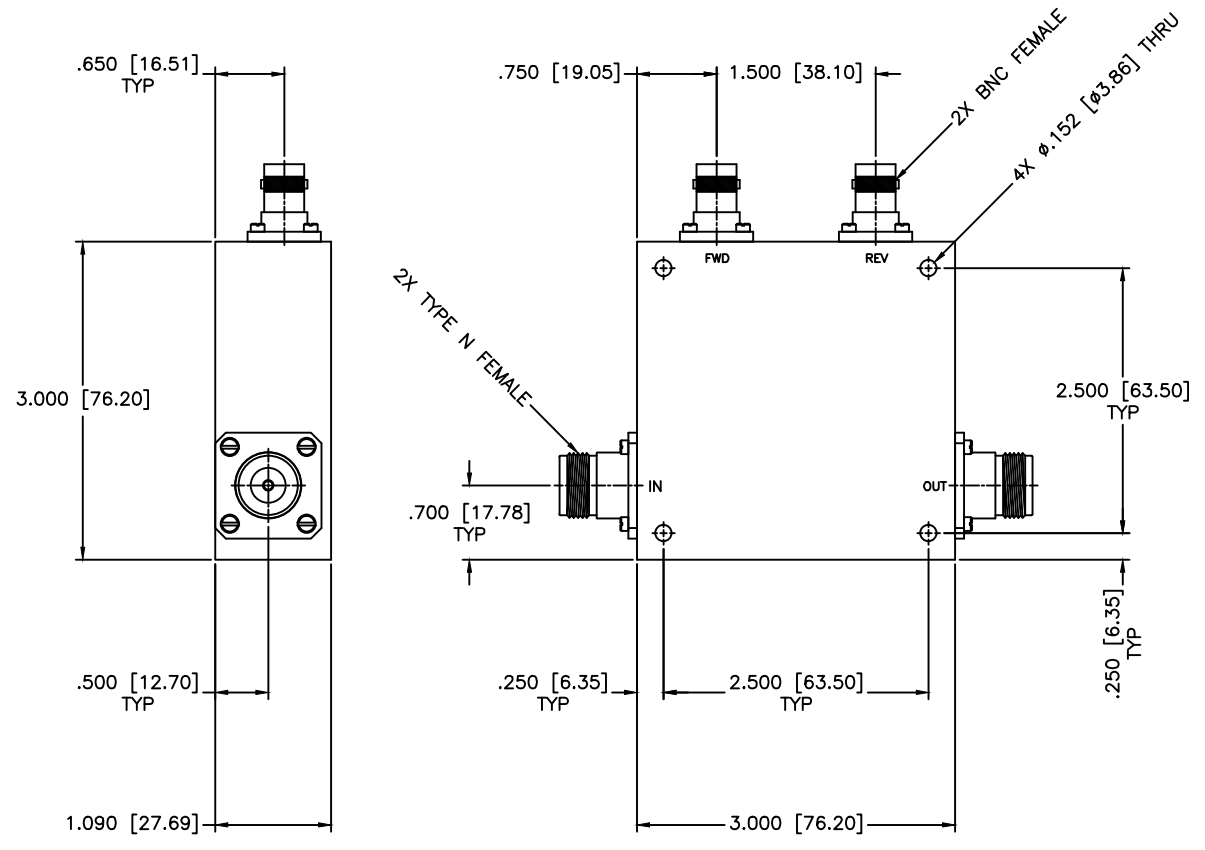


REVISIONS				
ZONE	REV	DESCRIPTION	DATE	APPROVED



**SPECIFICATIONS**

FREQUENCY RANGE: 200–1000 MHz

FREQUENCY SENSITIVITY:  $\pm 0.50$  dB

INSERTION LOSS: 0.35 dB Max.

DIRECTIVITY: 20 dB Min.

VSWR: 1.15:1 Max.

POWER: 100W CW

MATERIAL:		 <b>MCLI</b> MICROWAVE COMMUNICATIONS LABORATORIES INC. 7255 30TH AVE. N. SAINT PETERSBURG, FL 33710 TEL: (727) 344-6254 FAX: (727) 381-6116 http://www.MCLI.COM	SCALE:	N/A		
			SHEET:	N/A		
		UNLESS OTHERWISE SPECIFIED: TOLERANCES IN (INCHES) OR [mm] (MILLIMETERS) FRACTIONS: $\pm 1/64$ DECIMALS: $\pm .02 \pm .008$ ANGLE: $\pm 1/2^\circ$	DRAWING TITLE: <b>30dB DUAL DIRECTIONAL COUPLER</b>			
		PROPRIETARY NOTICE: THE INFORMATION IN THIS DRAWING IS PROPRIETARY AND SHALL NOT BE USED OR DISCLOSED WITHOUT WRITTEN PERMISSION FROM MICROWAVE COMMUNICATIONS LABORATORIES INC. (MCLI)	PART NO. <b>HDL-4-30</b>			
DRAWN: Paiboon Luekhamhan	DATE: 03-26-1999	 THIRD ANGLE PROJECTION	CAGE CODE:	OD2L5		
APPROVED: T. Nguyen	DATE: 03-26-1999		SIZE:	N/A	REV:	N/A
		DO NOT SCALE THE DRAWING				