

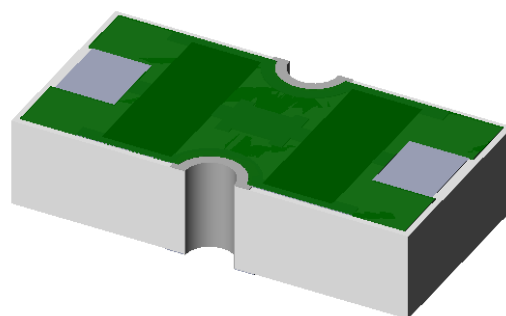
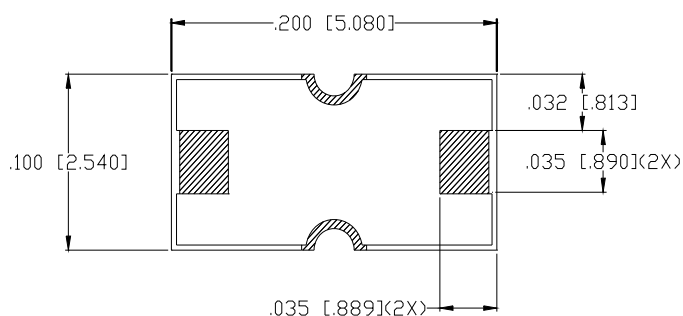
**Alumina**                      **10 dB**                      **CHIP ATTENUATOR**

**Features:**

- ◆ Alumina
- ◆ DC to 6 GHz
- ◆ 5 Watt Input Power
- ◆ CT - Matte Tin over Nickel over Silver
- ◆ Solder Mountable

**General Description:**

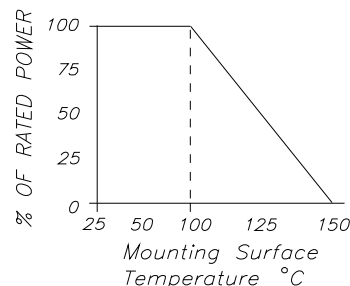
The ABC2010CT-1000JN-94-10 is a 10 dB Alumina chip attenuator with a frequency range from DC to 6 GHz. It has an input power rating of 5 watts while maintaining a constant mounting surface temperature of 100°C.



Dimensions in inches [mm]  
Tolerance ± .005 [.127]  
unless otherwise stated

UNIT MAY BE MOUNTED  
IN EITHER DIRECTION

DERATING CURVE:



Parameter	Freq. Performance	Min.	Typ.	Max	Units
Frequency Range		DC		6	GHz
Input Power				5	Watts
Attenuation:	DC - 2.0 GHz	9.7	10.0	10.3	dB
	>2.0 - 3.0 GHz	9.7	10.0	10.5	
	>3.0 - 4.0 GHz	9.7	10.0	10.6	
	>4.0 - 5.0 GHz	9.7	10.0	10.8	
	>5.0 - 6.0 GHz	9.7	10.0	11.0	
Input/Output Return Loss:	DC - 2.0 GHz	23.0			dB
	>2.0 - 3.0 GHz	20.0			
	>3.0 - 3.0 GHz	17.0			
	>4.0 - 5.0 GHz	14.0			
	>5.0 - 6.0 GHz	12.0			
Mounting Surface Temperature				100 150 (0% Power)	°C

Barry Industries reserves the right to change part number and or process without notification.

Barry Industries, Inc., 60 Walton St., Attleboro, MA 02703 T: 508-226-3350 F: 508-226-3317 E-mail: sales@barryind.com

Barry Industries maintains an ISO 9001 Certified Quality Management System

Origination Date	Revision Date	Rev.
08/31/11	08/31/11	-