



3.5mm Male to 1.85mm Male Adapter

TECHNICAL DATA SHEET

PE9746

Configuration

Connector 1	3.5mm Male
Impedance 1	50 Ohms
Connector 2	1.85mm Male
Impedance 2	50 Ohms
Adapter Design	Standard
Body Style	Straight

Electrical Specifications

Frequency Range	DC to 34.5 GHz
Maximum VSWR	1.3:1

Mechanical Specifications

Size

Length, in [mm]	0.808 [20.52]
Width/Dia., in [mm]	0.312 [7.92]

Connector 1

Type	3.5mm Male
Inner Conductor Material and Plating	Gold
Coupling Nut Material and Plating	Passivated Stainless Steel
Hex Size, in.	5/16
Torque, in-lbs [Nm]	5 [0.57]
Body Material and Plating	Passivated Stainless Steel
Dielectric Type	PPO

Connector 2

Type	1.85mm Male
Inner Conductor Material and Plating	Gold
Coupling Nut Material and Plating	Passivated Stainless Steel
Body Material and Plating	Passivated Stainless Steel
Dielectric Type	PPO

Environmental Specifications

Compliance Certifications (visit www.Pasternack.com for current document)

RoHS Compliant

Click the following link (or enter part number in "SEARCH" on website) to obtain additional part information including price, inventory and certifications: [3.5mm Male to 1.85mm Male Adapter PE9746](#)



3.5mm Male to 1.85mm Male Adapter

TECHNICAL DATA SHEET

PE9746

Plotted and Other Data

Notes:

- Values at +25 °C, sea level

3.5mm Male to 1.85mm Male Adapter from Pasternack Enterprises has same day shipment for domestic and International orders. Our RF, microwave and millimeter wave products maintain a 99% availability and are part of the broadest selection in the industry.

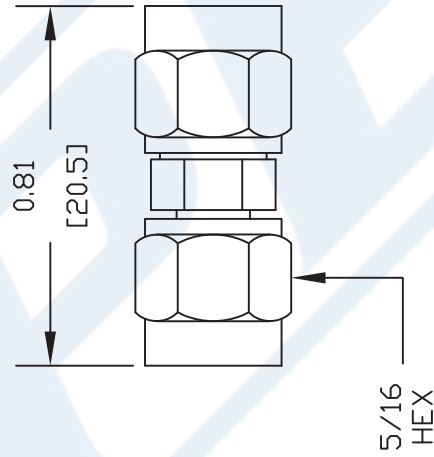
Click the following link (or enter part number in "SEARCH" on website) to obtain additional part information including price, inventory and certifications: [3.5mm Male to 1.85mm Male Adapter PE9746](#)

URL: <http://www.pasternack.com/3.5mm-male-1.85mm-male-straight-adapter-pe9746-p.aspx>

The information contained in this document is accurate to the best of our knowledge and representative of the part described herein. It may be necessary to make modifications to the part and/or the documentation of the part, in order to implement improvements. Pasternack reserves the right to make such changes as required. Unless otherwise stated, all specifications are nominal. Pasternack does not make any representation or warranty regarding the suitability of the part described herein for any particular purpose, and Pasternack does not assume any liability arising out of the use of any part or documentation.

PE9746 CAD Drawing

3.5mm Male to 1.85mm Male Adapter



NOTES:
 1. UNLESS OTHERWISE SPECIFIED ALL DIMENSIONS ARE NOMINAL.
 2. ALL SPECIFICATIONS ARE SUBJECT TO CHANGE WITHOUT NOTICE AT ANY TIME.
 3. DIMENSIONS ARE IN INCHES [mm].

DWG TITLE

PE9746

REV. -

FSCM NO. 53919

CAD FILE 070303

SCALE N/A

SIZE A

127

PASTERNAK ENTERPRISES, INC.
 P O BOX 16759, IRVINE, CA 92623
 PHONE (949) 261-1920 FAX (949) 261-7451
 WEB ADDRESS: www.pasternack.com
 E-MAIL ADDRESS: sales@pasternack.com
COAXIAL & FIBER OPTICS

