



TECHNICAL DATA SHEET

PE9400

SMA Male to UHF Female Adapter

Configuration

| | |
|----------------|------------|
| Connector 1 | SMA Male |
| Impedance 1 | 50 Ohms |
| Connector 2 | UHF Female |
| Impedance 2 | 50 Ohms |
| Adapter Design | Standard |
| Body Style | Straight |

Mechanical Specifications

Size

| | |
|---------------------|--------------|
| Length, in [mm] | 1.28 [32.51] |
| Width/Dia., in [mm] | 0.67 [17.02] |

Connector 1

| | |
|--------------------------------------|---------------|
| Type | SMA Male |
| Inner Conductor Material and Plating | Brass, Gold |
| Coupling Nut Material and Plating | Brass, Nickel |
| Hex Size, in. | 5/16 |
| Torque, in-lbs [Nm] | 5 [0.57] |
| Body Material and Plating | Brass, Nickel |
| Dielectric Type | Teflon |

Connector 2

| | |
|--------------------------------------|---------------|
| Type | UHF Female |
| Inner Conductor Material and Plating | Brass, Gold |
| Body Material and Plating | Brass, Nickel |
| Dielectric Type | Teflon |

Compliance Certifications (visit www.Pasternack.com for current document)

| | |
|----------------|-----|
| RoHS Compliant | Yes |
|----------------|-----|

Plotted and Other Data

| | |
|--------|----------------------------|
| Notes: | Values at 25 °C, sea level |
|--------|----------------------------|

URL: <http://www.pasternack.com/sma-male-uhf-female-straight-adapter-pe9400-p.aspx>

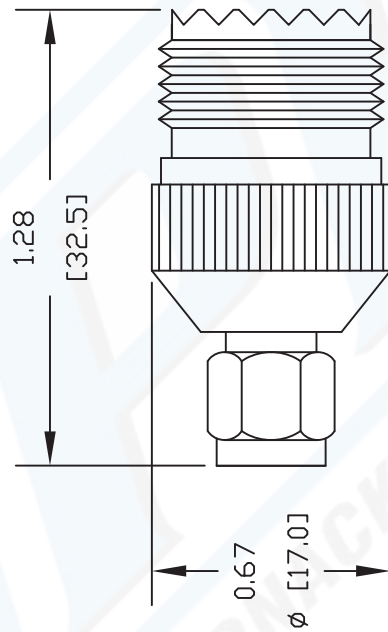
SMA Male to UHF Female Adapter from Pasternack Enterprises has same day shipment for domestic and International orders. Our RF, microwave and fiber optic products maintain a 99% availability and are part of the broadest selection in the industry.

The information contained in this document is accurate to the best of our knowledge and representative of the part described herein. It may be necessary to make modifications to the part and/or the documentation of the part, in order to implement improvements. Pasternack reserves the right to make such changes as required. Unless otherwise stated, all specifications are nominal.



PE9400 CAD Drawing

SMA Male to UHF Female Adapter



NOTES:
 1. UNLESS OTHERWISE SPECIFIED ALL DIMENSIONS ARE NOMINAL.
 2. ALL SPECIFICATIONS ARE SUBJECT TO CHANGE WITHOUT NOTICE AT ANY TIME.
 3. DIMENSIONS ARE IN INCHES [mm].

DWG TITLE
PE9400

PASTERNAK ENTERPRISES, INC.
 P O BOX 16759, IRVINE, CA 92623
 PHONE (949) 261-1920 FAX (949) 261-7451
 WEB ADDRESS: www.pasternack.com
 E-MAIL ADDRESS: sales@pasternack.com
COAXIAL & FIBER OPTICS



| | | | | | |
|--------|----------------|-----------------|-----------|--------|-----|
| REV. - | FSCM NO. 53919 | CAD FILE 091902 | SCALE N/A | SIZE A | 127 |
|--------|----------------|-----------------|-----------|--------|-----|