



6-8GHz SSS Band Pass Filter



Features

- SSS Filter - Suspended Substrate Strip-line Filter
- Flat frequency response and low insertion loss
- Covers the 1 GHz to 18 GHz Frequency Range
- Wide bandwidth and 3 dB BW Available from 5-50% (f_0)
- Designs that Cover up to 40 GHz Also Available
- MIL-E-5400 standard

6-8GHz SSS Band Pass Filter

Electrical Specifications

Parameters		Min.	Typ.	Max.	Units
Frequency Range		6		8	GHz
Insertion Loss			0.85	1.0	dB
Pass Band Ripple			0.5	0.6	dB
VSWR			1.5	1.7	
Rejection	@DC-5.1GHz	45	55		dB
	@9.2-16GHz	45	55		dB
Power Rating	Average			15	W
	Perk			0.1	KW
Operating Temperature		-45		+85	°C
Impedance		50			Ohms
Weight		40			g
Input / Output Connector		SMA-Female			
Material		Aluminum			
Finishing		Gray Paint			

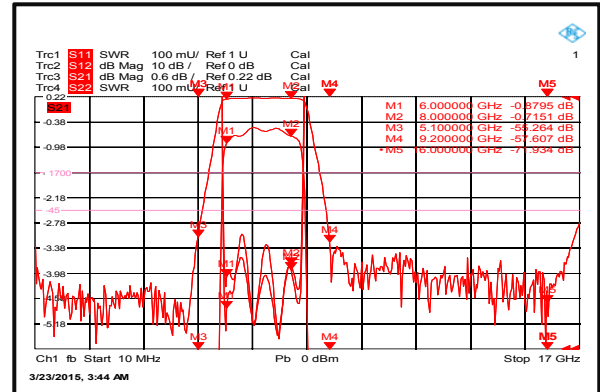


Environment specifications

Operational Temperature (C°)	-55 to +85
Storage Temperature (C°)	-55 to +125
Altitude	30,000 ft. (Epoxy Seal Controlled environment) 60,000 ft 1.0psi min (Hermetically Seal Un-controlled environment) (Optional)
Vibration	25g rms (15 degree 2KHz) endurance, 1 hour per axis
Humidity	100% RH at 35c, 95%RH at 40 deg c
Shock	20G for 11msc half sin wave,3 axis both directions

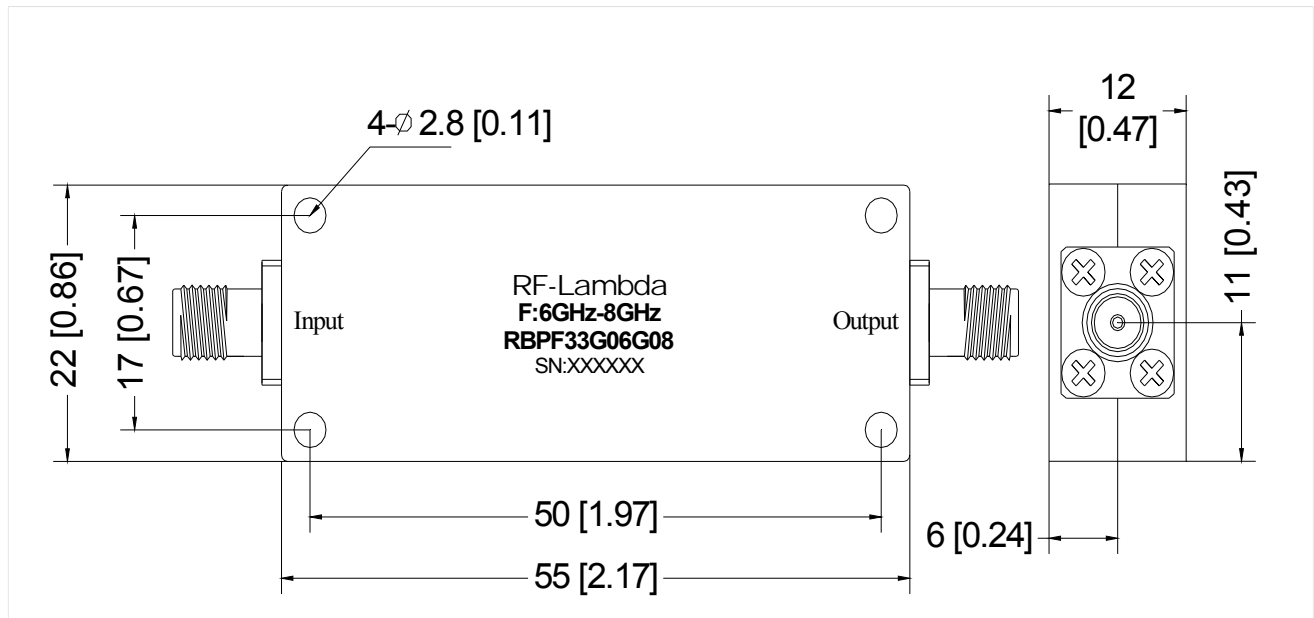
Typical performance plots

Loss VS. Ripple VS. Rejection VS.VSWR



Outline Drawing:

All Dimensions in mm (inches)



Important Notice

The information contained herein is believed to be reliable. RF-Lambda makes no warranties regarding the information contained herein. RF-Lambda assumes no responsibility or liability whatsoever for any of the information contained herein. RF-Lambda assumes no responsibility or liability whatsoever for the use of the information contained herein. The information contained herein is provided "AS IS, WHERE IS" and with all faults, and the entire risk associated with such information is entirely with the user. All information contained herein is subject to change without notice. Customers should obtain and verify the latest relevant information before placing orders for RF-Lambda products. The information contained herein or any use of such information does not grant, explicitly or implicitly, to any party any patent rights, licenses, or any other intellectual property rights, whether with regard to such information itself or anything described by such information. RF-Lambda products are not warranted or authorized for use as critical components in medical, life-saving, or life sustaining applications, or other applications where a failure would reasonably be expected to cause severe personal injury or death.