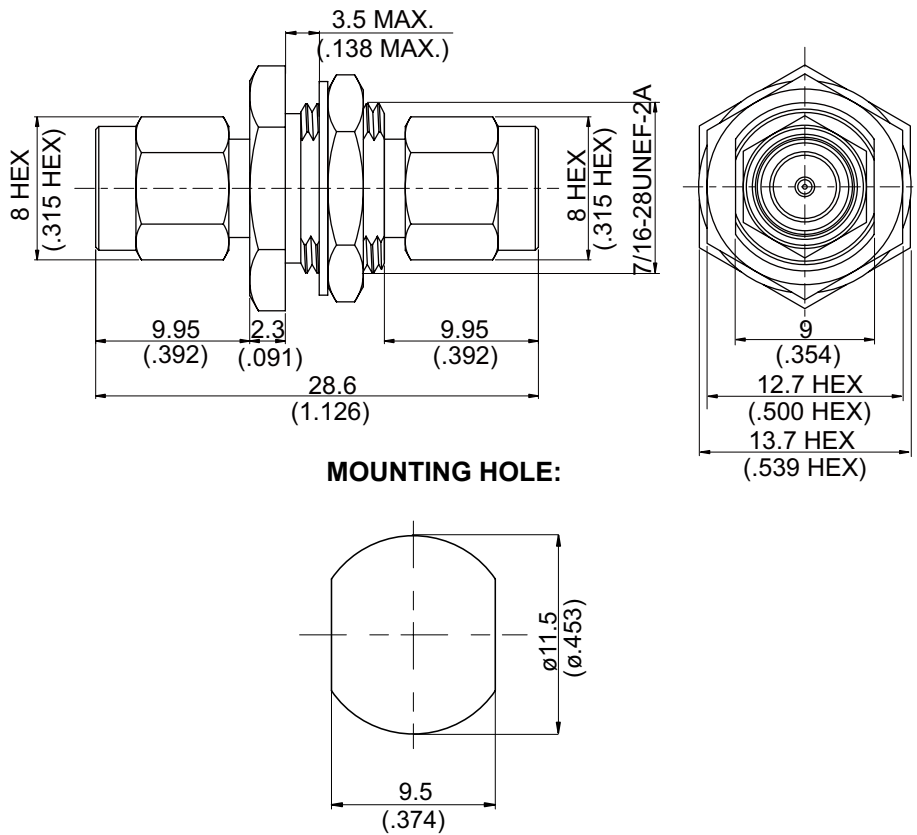


AD-A3A3-BF-18

SMA Plug To SMA Plug For Bulkhead Up To 18 GHz 50Ω



MOUNTING HOLE:

NOTE: MAX VSWR: 1.2 UP TO 18 GHz

Parts	Material	Plating (Micro-inch)
Washer	Brass	Gold 5 Over Nickel 50 Over Copper 50
Nut Hex	Brass	Gold 5 Over Nickel 50 Over Copper 50
Renber Ring	Beryllium Copper	Tin-Zinc-Copper-Alloy 100 Over Copper 50
Gasket	Silicon	
Contact Pin	Brass	Gold 20 Over Nickel 50 Over Copper 50
Insulator	Teflon	
Body	Brass	Gold 5 Over Nickel 50 Over Copper 50
Coupling Nut	Brass	Gold 5 Over Nickel 50 Over Copper 50

Weight: 10.8 g

This part number complies with RoHS.

Notice: JYEBAO reserves the right to make modifications deemed appropriate.