

WR137 to SMA WAVEGUIDE TO COAXIAL ADAPTER

SW137A

SPECIFICATIONS

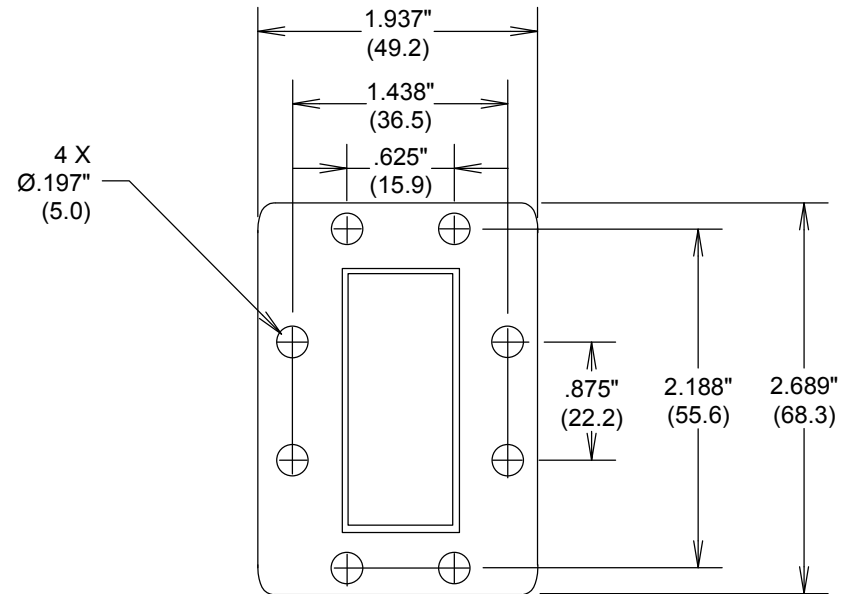
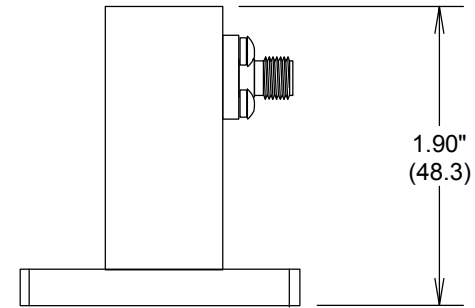
FREQUENCY: 5.85-8.2 GHZ

VSWR: 1.25:1

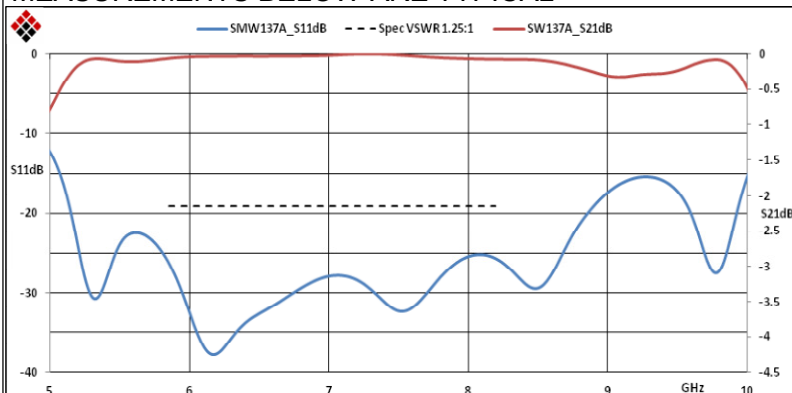
MATERIAL BODY: AI

MATERIAL CONNECTOR: PASSIVATED
STAINLESS STEEL

ROHS COMPLIANT



MEASUREMENTS BELOW ARE TYPICAL



ALL DIMENSIONS IN inches(MM) Typical

FAIRVIEW MICROWAVE INC.

ALLEN, TX 75013 WWW.FAIRVIEWMICROWAVE.COM

TITLE

WR137 to SMA WAVEGUIDE TO COAXIAL ADAPTER

SIZE

A

CAGE CODE

3FKR5

DWG NO

SW137A

REV

A

SCALE

SHEET