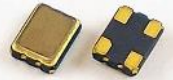


## MINIATURE SMD REAL TIME OSCILLATOR (3.2 x 2.5 x 1.0mm)

### FEATURES:

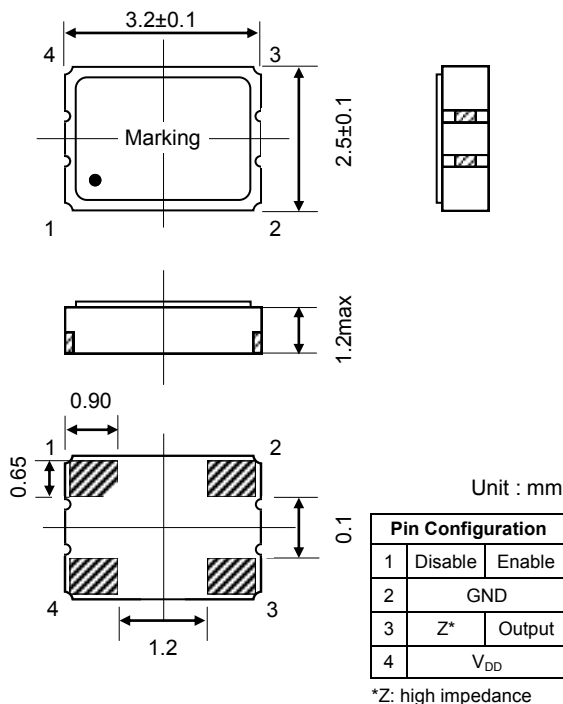
- HCMOS OUTPUT @ 32.768kHz
- LOW VOLTAGE
- LOW CURRENT



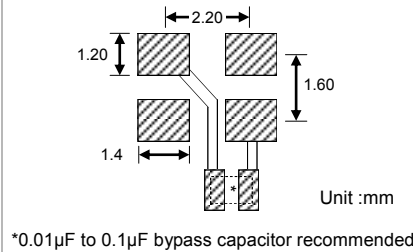
### ■ SPECIFICATION

<b>FREQUENCY</b>	32.768kHz	
<b>FREQUENCY TOLERANCE @ 25°C</b>	±30ppm max.	
<b>FREQUENCY STABILITY</b>	±20ppm ~ ±100ppm	
<b>OPERATING TEMPERATURE RANGE</b>	STD: 0°C ~ 70°C, Option: -40°C ~ 85°C (See P/N guide for other options)	
<b>STORAGE TEMPERATURE RANGE</b>	-55°C ~ 125°C	
<b>SUPPLY VOLTAGE ±10%</b>	1.8V <sub>DC</sub> ~ 5.0V <sub>DC</sub>	
<b>SUPPLY CURRENT</b>	200µA max. (10µA available)	
<b>OUTPUT</b>	<b>LOGIC FAMILY</b>	HCMOS
	<b>LOAD</b>	15pF
	<b>LEVEL LOGIC '1' (V<sub>OH</sub>)</b>	0.9 x V <sub>DD</sub> min.
	<b>LEVEL LOGIC '0' (V<sub>OL</sub>)</b>	0.1 x V <sub>DD</sub> max.
	<b>SYMMETRY(DUTY CYCLE)</b>	STD: 40% / 60% @ 1/2V <sub>DD</sub> level (over -40°C ~ 85°C ), Option: 45% / 55%
	<b>RISE AND FALL TIME (Tr/Tf)</b>	30nS max.
<b>STAND-BY VOLTAGE</b>	<b>START-UP TIME</b>	10mS max.
	<b>ENABLE (V<sub>IH</sub>)</b>	0.7 x V <sub>DD</sub> ≤ V <sub>IH</sub> ≤ V <sub>DD</sub> OR N/C
	<b>DISABLE (V<sub>IL</sub>)</b>	V <sub>IL</sub> ≤ 0.3 x V <sub>DD</sub>
<b>AGING @ +25°C ±3°C</b>	±3.0ppm / 1 <sup>st</sup> year max.	
<b>PHASE JITTER RMS (12kHz ~ 20MHz)</b>	1pS max.	

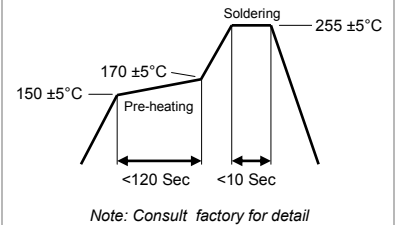
### ■ PACKAGE DIMENSIONS



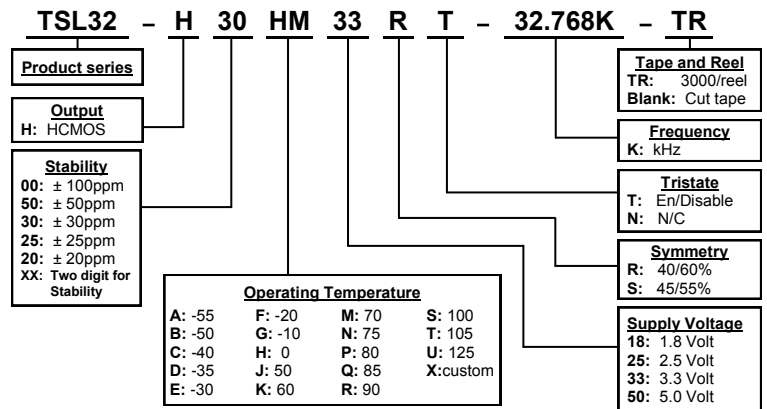
### ■ SOLDER PATTERN



### ■ REFLOW PROFILE



### ■ PART NUMBERING GUIDE



Transko Electronics, Inc reserves the right to make changes to the product (s), service (s), and specification (s) described herein without notice. See "Terms of Sale" for details on our website.