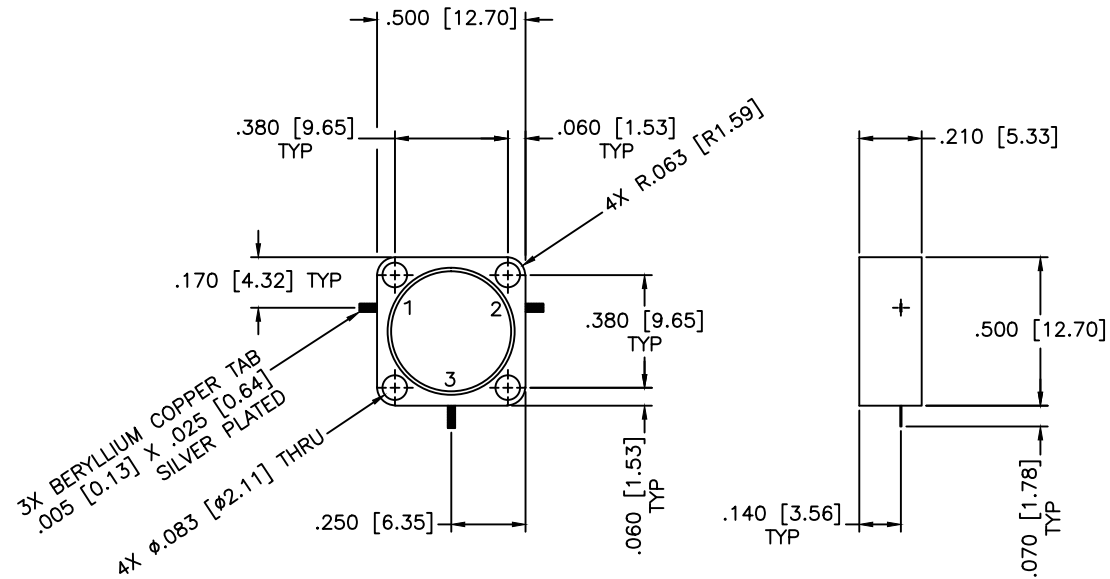


| REVISIONS | | | | |
|-----------|-----|-------------|------|----------|
| ZONE | REV | DESCRIPTION | Date | APPROVED |



SPECIFICATIONS

Frequency Range: 7.9–8.4 GHz
 Insertion Loss: 0.4dB Max.
 Isolation: 20dB Min.
 VSWR: 1.25:1 Max.
 Operating Temperature: -40°C to +85°C

| | | | | |
|---|--|--|--------|----------------|
| MATERIAL: | | MCLI MICROWAVE COMMUNICATIONS LABORATORIES INC. 7255 30TH AVE. N. SAINT PETERSBURG, FL 33710 TEL: (727) 344-6254 FAX: (727) 381-6116 http://WWW.MCLI.COM | SCALE: | N/A |
| | | | SHEET: | N/A |
| UNLESS OTHERWISE SPECIFIED: TOLERANCES IN (INCHES) OR [mm] (MILLIMETERS) FRACTIONS: $\pm 1/64$ DECIMALS: $\pm .01 \pm .005$ ANGLE: $\pm 1/2^\circ$ | | DRAWING TITLE: DROP-IN CIRCULATOR | | |
| DRAWN: Paiboon Luekhamhan | | PART NO.: MC-41 | | |
| DATE: 06-06-2012 | | CAGE CODE: OD2L5 | | |
| APPROVED: T. Nguyen | | DATE: 06-06-2012 | | |
| THIRD ANGLE PROJECTION | | SIZE: N/A | REV: A | DWG NO.: 84951 |
| | | DO NOT SCALE THE DRAWING | | |