



DC-4GHz 1KW POWER ATTENUATOR



- **Ultra high power 1KW CW and 10K Peak**
- **Ultra high peak power 10KW (5us)**
- **Wide band operation**
- **Low VSWR and flat response**
- **Air cooling system required**
- **Applications: Broadcasting, defence, radar communication**

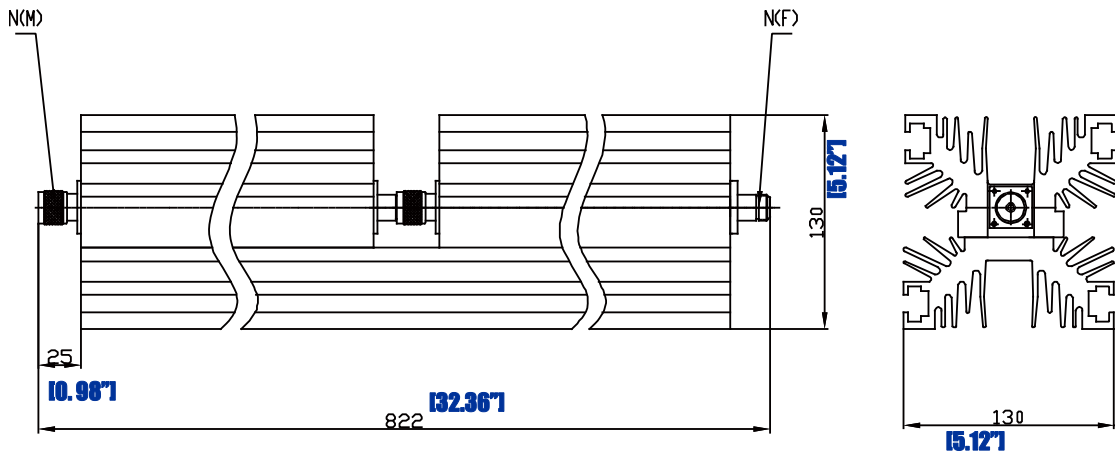
Electrical Specifications			
Frequency Range:	DC-4.0GHz	VSWR max.	1.30 : 1
Power handle	1KW(CW) 25°C only 10KW (Peak) (5us pulse 20% duty cycle)	Attenuation	40/50dB +/-1.0dB
Mechanical and Environmental Specifications			
Operation Temp:	-55°C to 125°C	Storage Temp:	-55°C to 125°C
Connector:	N, EIA 7/8", 7/16	Dimension:	822 × 130 × 130mm 32.36" × 5.12" × 5.12"
Weight:	32Kg		
Operation Instruction:	<ol style="list-style-type: none"> 1. Connect input and output of attenuator to 50Ω impedance system. 2. Turn on air cooling FAN and verify the FAN is working properly. 3. Turn on system power. If possible, start from lower power, and increase the power step by step. 4. Before disconnect the attenuator, make sure turn off all the power (RF power and DC power) first. 5. Keep the air cooling FAN running until the attenuator case temperature reach room temperature. 6. One time operation should not exceed 10 minutes at 1KW CW power. 		
WARNING:	<ol style="list-style-type: none"> 1. Input average power must be lower than specified average power or 10KW peak (5us pulse) 2. This is directional attenuator. DO NOT CONNECT output port to input. 3. The unit is designed for Indoor application only, prevent all shock, vibration and humidity. 		
MAINTAINANCE	<ol style="list-style-type: none"> 1. Check input and output impedance before each time operation. The impedance should within 50Ω ± 2Ω. 2. Check cooling oil regularly in every 500 hours. Cooling oil color should be light yellow. If oil color turn to black or dark brown, it may be contaminated. Then the oil need to be replaced. (Only apply to oil cooling unit) 3. Clean input and output connector by alcohol regularly. 		

1K WATTS ULTRA HIGH POWER DC-4GHz ATTENUATOR



RF-LAMBDA

RFS1000G06



1K WATTS ULTRA HIGH POWER DC-6GHZ ATTENUATOR