



50 Ohm 1 Watt Precision 2.92mm Female RF Load Up To 40 GHz

TECHNICAL DATA SHEET

PE6175

50 Ohm 1 Watts Precision 2.92mm Female RF Load Up To 40 GHz

Pasternack Enterprises line of 2.92mm Terminations are available in 0.5 Watt, 1 Watt and 2 Watt versions and operate from DC to 40 GHz. Our 2.92mm Terminations are manufactured for durability with Passivated Stainless Steel bodies and Gold Plated BeCu (Beryllium Copper) contacts and are with a Chain or No Chain. Pasternack's Male and Female 2.92mm Terminations will mate with 2.92mm, 3.5mm and SMA connectors.

- DC to 40 GHz
- 0.5W, 1W and 2W versions
- Passivated Stainless Steel bodies
- Gold plated BeCu contacts
- Chain and No Chain options

Configuration

RF Load Design	Precision
Connector	2.92mm Female
Connector Specification	MIL-STD-348
Heat Sink	Passivated Stainless Steel
Connection Method	Standard
Body Style	Straight

Electrical Specifications

Frequency Range, GHz	DC to 40
Impedance, Ohms	50
Maximum VSWR	1.25:1
Maximum Input Power, Watts	1

Mechanical Specifications

Temperature

Operating Range, deg C	-55 to +125
------------------------	-------------

Size

Length, in [mm]	0.605 [15.37]
Width/Dia., in [mm]	0.312 [7.92]
Weight, lbs [g]	0.013 [5.9]

Connector

Type	2.92mm Female
Mating Cycles	500
Inner Conductor Material and Plating	Beryllium Copper, Gold
Coupling Nut Material and Plating	Passivated Stainless Steel
Body Material and Plating	Passivated Stainless Steel
Dielectric Type	Plastic Bead

Click the following link (or enter part number in "SEARCH" on website) to obtain additional part information including price, inventory and certifications: [50 Ohm 1 Watts Precision 2.92mm Female RF Load Up To 40 GHz PE6175](#)

The information contained in this document is accurate to the best of our knowledge and representative of the part described herein. It may be necessary to make modifications to the part and/or the documentation of the part, in order to implement improvements. Pasternack reserves the right to make such changes as required. Unless otherwise stated, all specifications are nominal.



50 Ohm 1 Watt Precision 2.92mm Female RF Load Up To 40 GHz

TECHNICAL DATA SHEET

PE6175

Compliance Certifications (visit www.Pasternack.com for current document)

RoHS Compliant

Yes

Plotted and Other Data

Notes:

Values at 25 °C, sea level

50 Ohm 1 Watt Precision 2.92mm Female RF Load Up To 40 GHz from Pasternack Enterprises has same day shipment for domestic and International orders. Our RF, microwave and fiber optic products maintain a 99% availability and are part of the broadest selection in the industry.

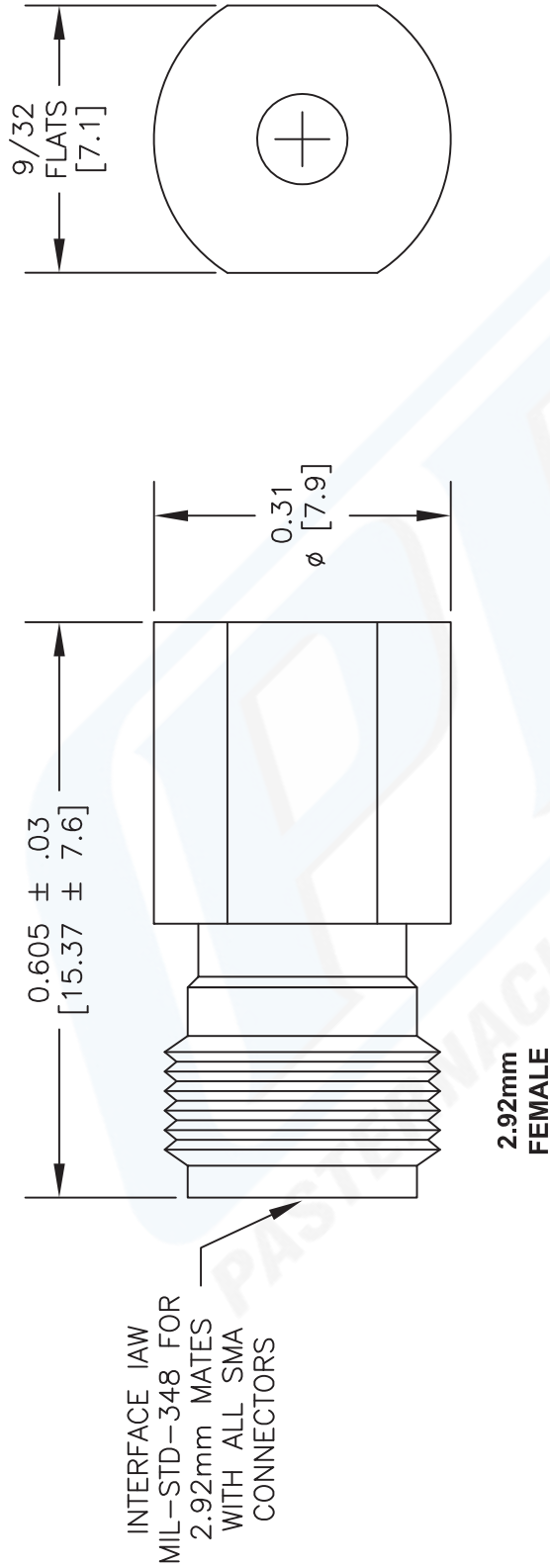
Click the following link (or enter part number in "SEARCH" on website) to obtain additional part information including price, inventory and certifications: [50 Ohm 1 Watts Precision 2.92mm Female RF Load Up To 40 GHz PE6175](#)

URL: <http://www.pasternack.com/1-watts-2.92mm-female-rf-load-up-to-40-ghz-precision-pe6175-p.aspx>

The information contained in this document is accurate to the best of our knowledge and representative of the part described herein. It may be necessary to make modifications to the part and/or the documentation of the part, in order to implement improvements. Pasternack reserves the right to make such changes as required. Unless otherwise stated, all specifications are nominal.

PE6175 CAD Drawing

50 Ohm 1 Watt Precision 2.92mm Female RF Load Up To 40 GHz



DWG TITLE

PE6175

NOTES:
1. UNLESS OTHERWISE SPECIFIED ALL DIMENSIONS ARE NOMINAL.
2. ALL SPECIFICATIONS ARE SUBJECT TO CHANGE WITHOUT NOTICE AT ANY TIME.
3. DIMENSIONS ARE IN INCHES [mm].

FSCM NO. 53919

CAD FILE 071712

SCALE N/A

SIZE A

2233



Pasternack Enterprises, Inc.
P.O. Box 16759 | Irvine | CA | 92623

Phone: (949) 261-1920 | Fax: (949) 261-7451

Website: www.pasternack.com | E-Mail: sales@pasternack.com