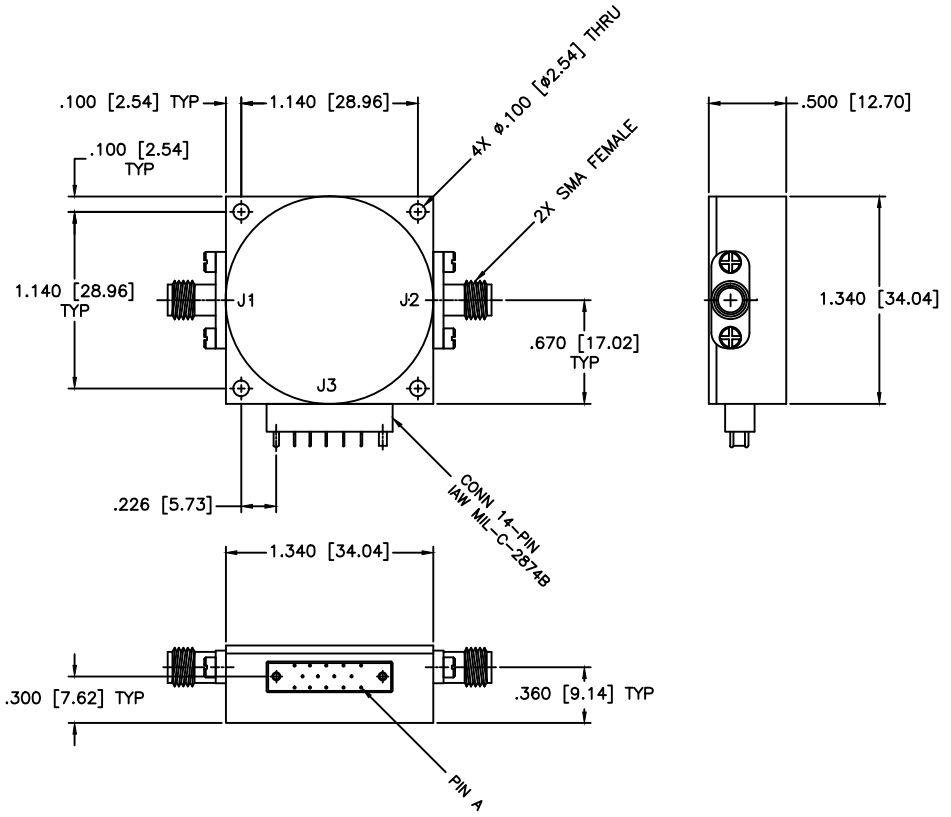


| REVISIONS |     |             |      |          |
|-----------|-----|-------------|------|----------|
| ZONE      | REV | DESCRIPTION | Date | APPROVED |
|           |     |             |      |          |



| POWER/LOGIC CONNECTIONS |                      |
|-------------------------|----------------------|
| PIN                     | FUNCTIONS            |
| A                       | DIGITAL POWER GROUND |
| B                       | LOGIC CONTROL        |
| C                       | -12V to -15V         |
| D                       | 0.25dB (LSB)         |
| E                       | 0.5dB                |
| F                       | 1.0dB                |
| H                       | 4.0dB                |
| J                       | 2.0dB                |
| K                       | 16dB                 |
| L                       | 32dB                 |
| M                       | +12V to +15V         |
| N                       | 8dB                  |
| P                       | GROUND               |
| R                       | ANALOG INPUT         |

| SPECIFICATIONS    |             |
|-------------------|-------------|
| Frequency Range:  | 2.6–5.2 GHz |
| Attenuator Range: | 0–60dB      |
| Insertion Loss:   | 1.7dB       |
| Flatness          |             |
| 10dB              | ±1.0dB      |
| 20dB              | ±1.0dB      |
| 40dB              | ±1.5dB      |
| 60dB              | ±1.8dB      |
| VSWR:             | 2.00:1 Max. |

|   |  |  |        |     |
|---|--|--|--------|-----|
| MATERIAL:   |  | <b>MCLI</b> MICROWAVE COMMUNICATIONS LABORATORIES INC.<br>7255 30TH AVE. N. SAINT PETERSBURG, FL 33710<br>TEL: (727) 344-6254 FAX: (727) 381-6116<br>http://WWW.MCLI.COM | SCALE: | N/A |
|   |  |  | SHEET: | N/A |
| UNLESS OTHERWISE SPECIFIED:<br>TOLERANCES<br>IN (INCHES) OR [mm] (MILLIMETERS)<br>FRACTIONS: ± 1/64<br>DECIMALS: ±.01 ±.005<br>ANGLE: ±1/2° |  | DRAWING TITLE:<br><b>PIN DIODE ATTENUATOR</b>  |        |     |
| DRAWN:<br>Paiboon Luekhamhan  |  | PART NO.<br><b>LC-6</b>  |        |     |
| DATE:<br>03-28-1999   |  | CAGE CODE:<br>OD2L5  |        |     |
| APPROVED:<br>T. Nguyen  |  | SIZE:<br>A   |        |     |
| DATE:<br>03-28-1999   |  | REV:<br>N/A  |        |     |
| THIRD ANGLE PROJECTION  |  | DWG. NO.<br>81261  |        |     |
|   |  | DO NOT SCALE THE DRAWING   |        |     |