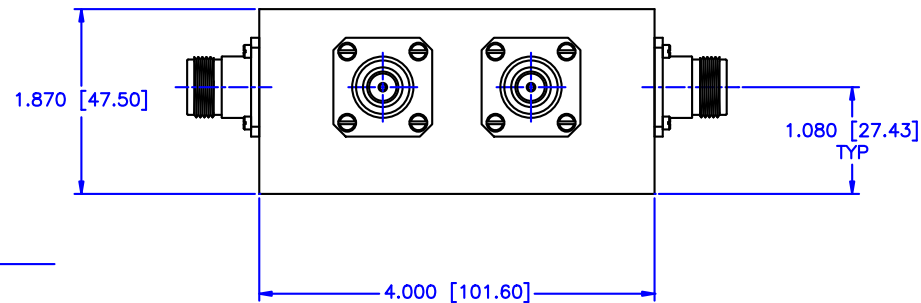
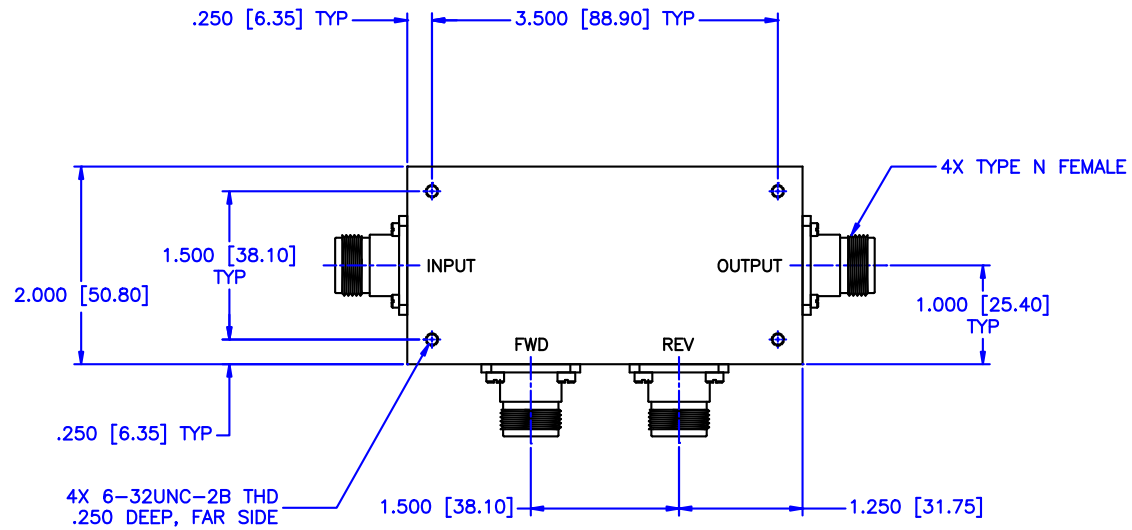


REVISIONS				
ZONE	REV	DESCRIPTION	DATE	APPROVED



**SPECIFICATIONS:**

FREQUENCY RANGE: 2-50 MHz  
 COUPLING: 30dB  
 FLATNESS:  $\pm 0.2$ dB  
 INSERTION LOSS: 0.15dB Max.  
 DIRECTIVITY: 25dB Min.  
 VSWR PRIME LINE: 1.10:1 Max.  
 POWER: 100 Watts CW

MATERIAL:		<b>MICROWAVE COMMUNICATIONS LABORATORIES INC.</b> 7255 30TH AVE. N. SAINT PETERSBURG, FL 33710 TEL: (727) 344-6254 FAX: (727) 381-6116 <a href="http://WWW.MCLI.COM">http://WWW.MCLI.COM</a>	SCALE: N/A
			SHEET: N/A
UNLESS OTHERWISE SPECIFIED: TOLERANCES IN (INCHES) OR [mm] (MILLIMETERS) FRACTIONS: $\pm 1/64$ DECIMALS: $\pm 0.01 \pm 0.005$ ANGLE: $\pm 1/2^\circ$		DRAWING TITLE: <b>HIGH POWER DUAL DIRECTIONAL COUPLER</b>	
DRAWN: Paiboon Luekhamhan		PART NO.: HDL-56-30	
DATE: 12-22-2010		CAGE CODE: OD2L5	SIZE: C
APPROVED: T. Nguyen		REV: N/A	DWG NO.: 85168
DATE: 12-22-2010		DO NOT SCALE THE DRAWING	