

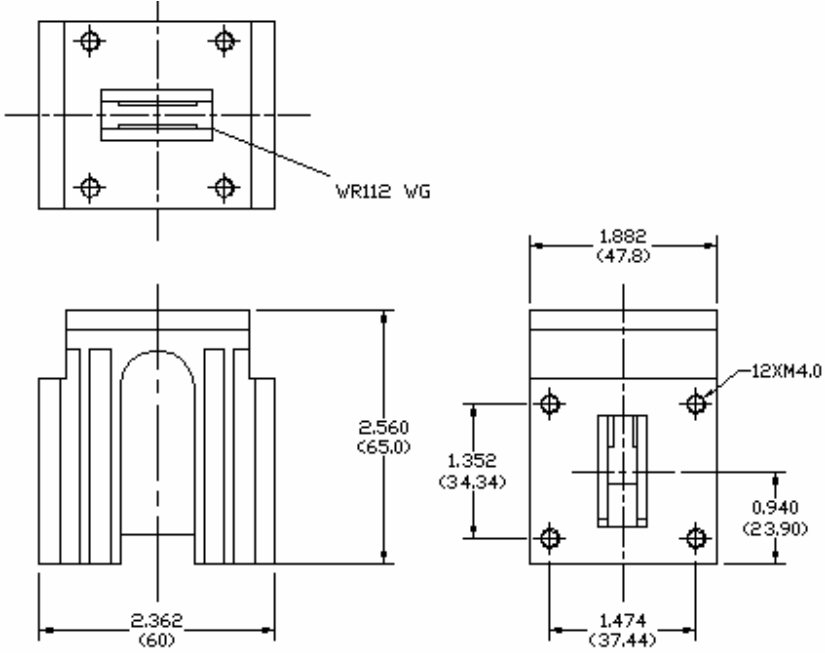
Key Features:

- Frequency range: 7.0~8.5GHz, bandwidth up to 500MHz
- WR-112 waveguide, cover flange
- Power handling >150Watts CW forward
- Customer specify center frequency and bandwidth

Electrical Specifications

Part No.	Freq Range GHz	Insertion Loss, dB	Reverse Isolation, dB	VSWR	CW Power, Watts	Temp. Range, °C
F3638-0815-06	7.9~8.4	0.25 Max	≥ 20	≤1.2:1	≥ 150	-10 ~ +65

Mechanical Structure:



All units in inches (mm)

Ordering Information:

