

## Inside/Outside High Performance

- 0.1 - 8.0 GHz and 0.1 - 12.4 GHz units available
- Greater than 65 dB Isolation at 1KHz
- Low VSWR and Insertion loss
- Rugged Stainless Steel Construction

Midwest Microwave's high performance Inside/Outside DC Blocks pass all frequencies from 100 Mhz to 8.0 GHz and 100 MHz to 12.4 GHz while exhibiting low insertion loss and low VSWR. The units pose a very high insertion loss to frequencies such as 60 Hz, 120 Hz, 400 Hz, and 1 KHz. They are designed for laboratory, production line, or system use and are available in all of the popular connector interfaces. They are manufactured using rugged stainless steel and are 100 % tested to assure dependable high quality performance.

### SMA • 7mm • N • TNC Types

#### SPECIFICATIONS

**Frequency:** 0.1 - 8.0 GHz and 0.1 - 12.4 GHz

**VSWR:** 1.20 max @ 0.01 - 8.0 GHz

**Impedance:** 50 Ohms

**Insertion Loss:** 0.5 dB max

**Isolation:** > 65 dB @ 1 KHz

**DC Working Voltage:** 200 Volts

**Operating Temperature Range:** -20 °C to +125 °C

**Finish:** Passivated Stainless Steel

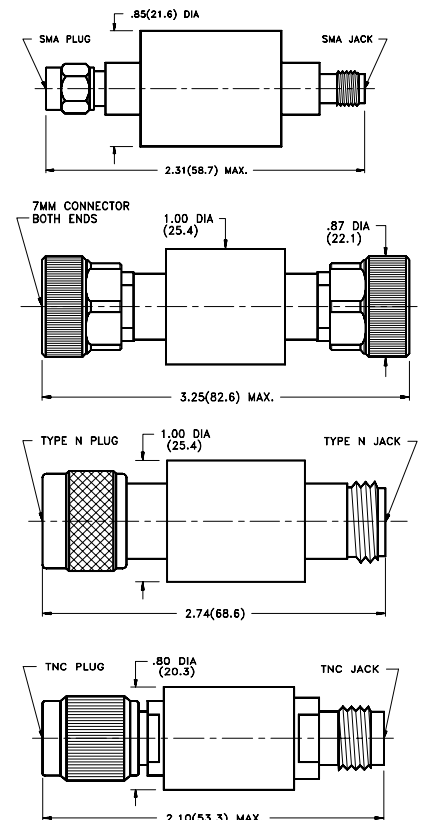


100 MHz - 8.0 GHz	SMA Type	100 MHz - 12.4 GHz
Male / Female		Male / Female
<a href="#">DCB-3540-IO-SMA-02</a>		<a href="#">DCB-3537-IO-SMA-02</a>

100 MHz - 8.0 GHz	7 mm	100 MHz - 12.4 GHz
Male / Female		Male / Female
<a href="#">DCB-3541-IO-7MM-02</a>		<a href="#">DCB-3548-IO-7MM-02</a>

100 MHz - 8.0 GHz	N Type	100 MHz - 12.4 GHz
Male / Female		Male / Female
<a href="#">DCB-3542-IO-NNN-02</a>		<a href="#">DCB-3524-IO-NNN-02</a>

100 MHz - 8.0 GHz	TNC Type	100 MHz - 12.4 GHz
Male / Female		Male / Female
<a href="#">DCB-3543-IO-TNC-02</a>		<a href="#">DCB-3534-IO-TNC-02</a>



Note: BNC, SC, and HN Types are also available, substitute BNC, SSC, or HHN for NNN in the Model Numbers.