



## WR-34 Flexible Straight Waveguide Section 12 Inch Length with UG-1530/U Flange Operating from 22 GHz to 33 GHz

### TECHNICAL DATA SHEET

PE-W34SF005-12

The PE-W34SF005-12 is part of Pasternack's family of flexible, seamless waveguides which operates in the 22 to 33 GHz range. The waveguide body is made of silver plated brass. It can be bent in both the E and H planes without impairing VSWR or attenuation. The waveguide is covered by a neoprene jacket which protects the waveguide and provides mechanical support.

#### Features

- WR-34 waveguide
- Flexes in both the E and H plane
- 22 GHz to 33 GHz Frequency Range
- Brass flanges with a silver plated brass body
- Neoprene sleeve provides added protection and mechanical support

#### Applications

- Allows expansion/contraction due to thermal issues.
- Test Benches
- Microwave Radio
- Eliminates installation problems caused by misalignment.
- Pressurized waveguide systems
- Provides vibration isolation

#### Electrical Specifications

Description	Minimum	Typical	Maximum	Units
Frequency Range	22		33	GHz
VSWR		1.15:1		
Insertion Loss		0.4		dB

#### Mechanical Specifications

Waveguide Size	WR-34
Waveguide Design	Flexible
Section Length	12 in [304.8 mm]
E-Plane Minimum Bend Radius, One Time	0.39 in [9.91 mm]
H-Plane Minimum Bend Radius, One Time	0.79 in [20.07 mm]
Maximum Operating Pressure	45 psig

Description	Flange 1	Waveguide	Flange 2
Interface	UG-1530/U	WR-34	UG-1530/U
Material	Brass	Copper	Brass
Plating		Silver	
Color	Gold	Black	Gold

#### Compliance Certifications (visit [www.Pasternack.com](http://www.Pasternack.com) for current document)

RoHS Compliant  
 REACH Compliant 12/17/2014

Click the following link (or enter part number in "SEARCH" on website) to obtain additional part information including price, inventory and certifications: [WR-34 Flexible Straight Waveguide Section 12 Inch Length with UG-1530/U Flange Operating from 22 GHz to 33 GHz PE-W34SF005-12](#)



WR-34 Flexible Straight Waveguide Section 12 Inch Length  
with UG-1530/U Flange Operating from 22 GHz to 33 GHz

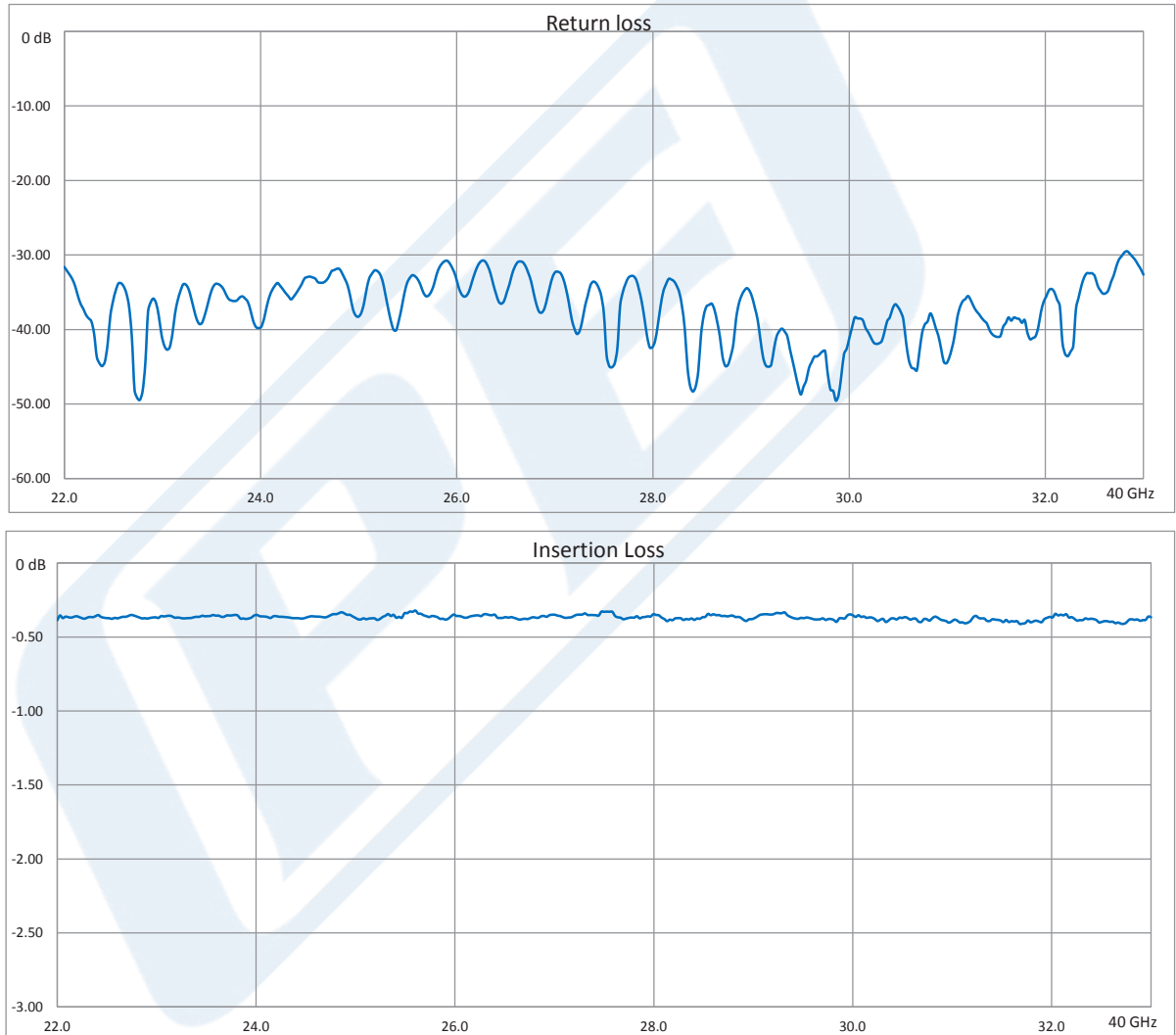
TECHNICAL DATA SHEET

PE-W34SF005-12

Notes:

- Values at +25 °C, sea level

Power Data



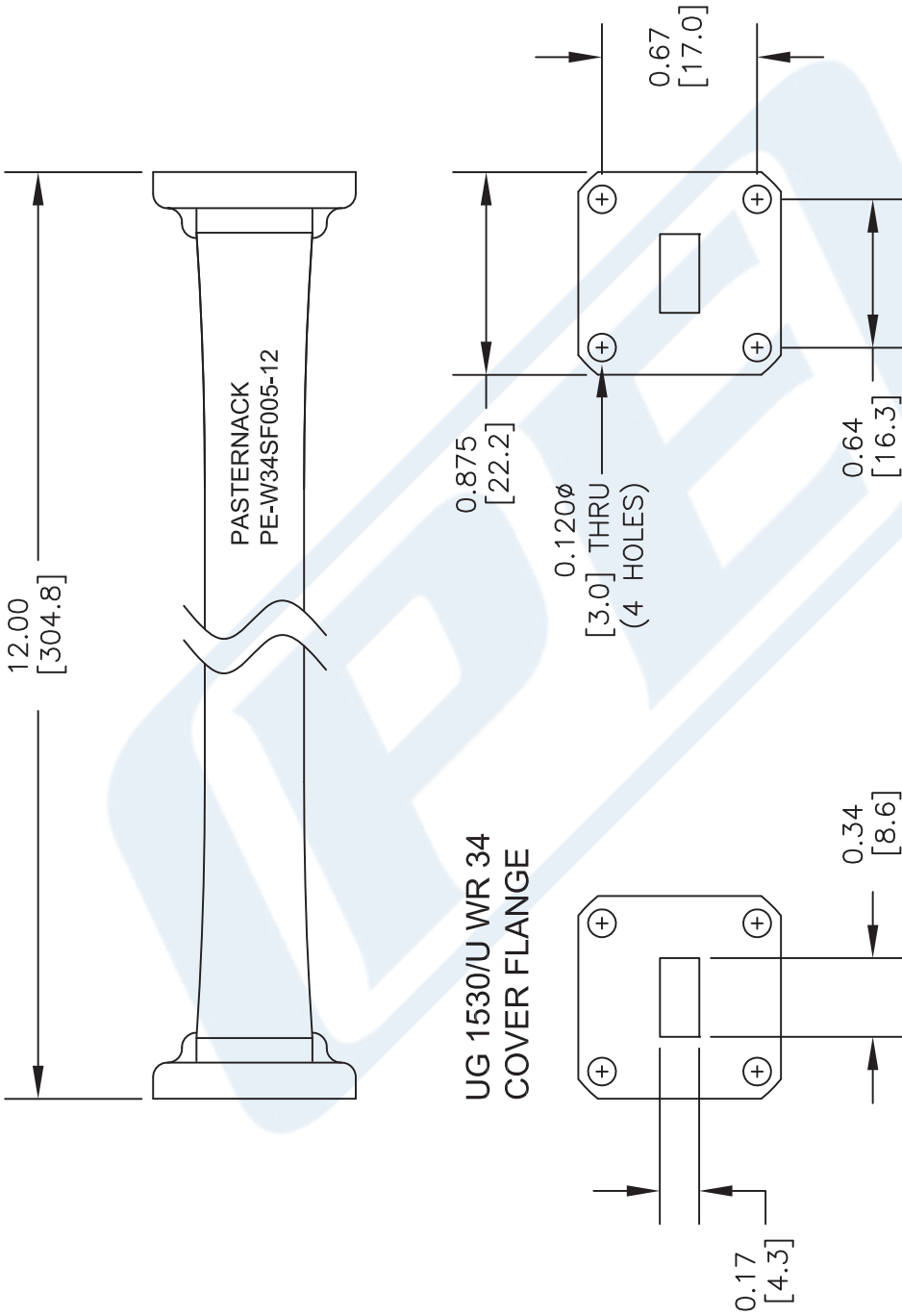
Click the following link (or enter part number in "SEARCH" on website) to obtain additional part information including price, inventory and certifications: [WR-34 Flexible Straight Waveguide Section 12 Inch Length with UG-1530/U Flange Operating from 22 GHz to 33 GHz PE-W34SF005-12](#)





# PE-W34SF005-12 CAD Drawing

WR-34 Flexible Straight Waveguide Section 12 Inch Length with  
UG-1530/U Flange Operating from 22 GHz to 33 GHz



DWG TITLE

**PE-W34SF005-12**

- NOTES:  
 1. UNLESS OTHERWISE SPECIFIED ALL DIMENSIONS ARE NOMINAL.  
 2. ALL SPECIFICATIONS ARE SUBJECT TO CHANGE WITHOUT NOTICE AT ANY TIME.  
 3. DIMENSIONS ARE IN INCHES [mm].

FSCM NO. 53919

CAD FILE 101315

SCALE N/A

SIZE A

2233



Pasternack Enterprises, Inc.  
 P.O. Box 16759 | Irvine | CA | 92623  
 Phone: (949) 261-1920 | Fax: (949) 261-7451  
 Website: www.pasternack.com | E-Mail: sales@pasternack.com