

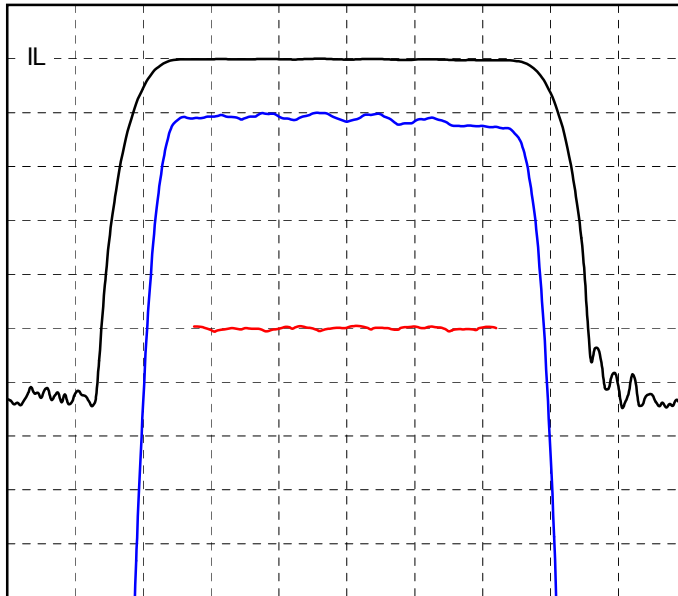
Specifications

Parameter	Unit	Min	Typical	Max
Center Frequency (F0)	MHz		70	
Bandwidth (B)	MHz		10	
-3 dB Bandwidth (B3)	MHz	11.4	11.5	
-40 db Bandwidth (B40)	MHz		14.1	14.2
Delay (T0)	μsec	1.3	1.306	1.31
Insertion Loss (IL)	dB		24.5	25
Amplitude Ripple	dB p-p		0.2	0.5
Phase Ripple	deg p-p		1.2	2.5
Rejection	dB	60	64	
Spurious for t-T0 >.9T0	dB		-58	-54
Substrate Material		128YX-LN		

- Notes:
- Center Frequency (F0) and Bandwidth (B) are defined, not measured.
 - Insertion Loss is the minimum loss for $|f-F0| < .5B$
 - Ripple spec applies to the $|f-F0| < .4B$, and is doubled for $.4B < |f-F0| < .5B$
 - Rejection spec applies to $(B40 \text{ Spec} - B/2) < |f-F0| < F0/2$
 - Specifications are at 22C only. Unit will operate undamaged from -54C to 125C with shifts $dF0 = -x * F0$, $dT0 = x * T0$, where $x = 75E-6 * (\text{temperature} - 22C)$

Typical Performance

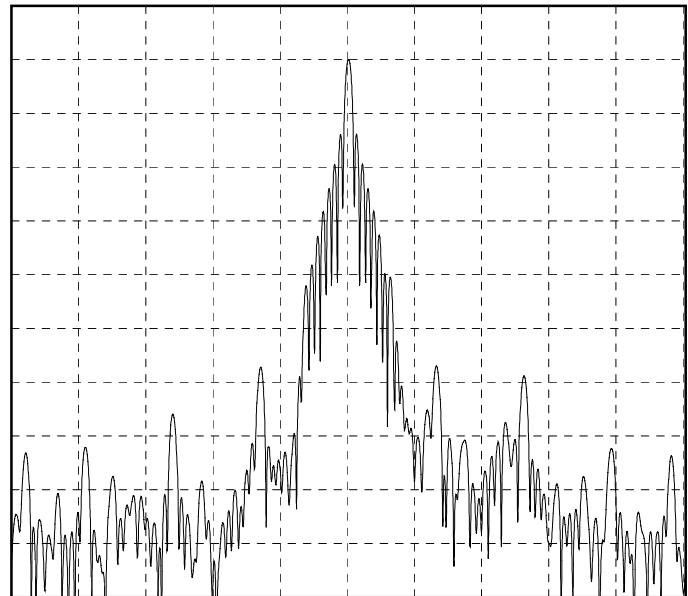
Frequency Response
(Best Fit Linear Phase Removed)



10 dB/div, 1 dB/div, 10 deg/div, 2 MHz/div

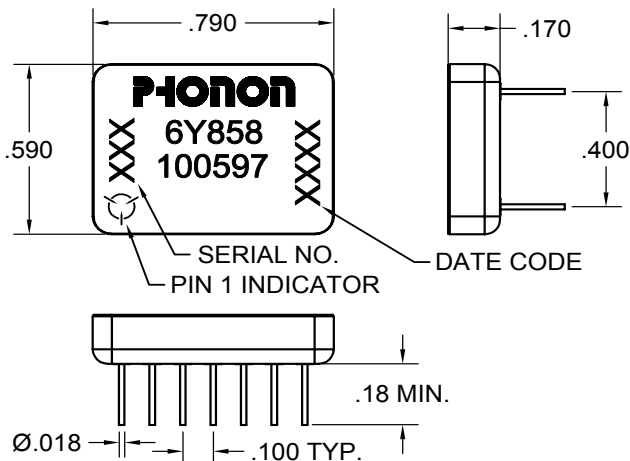
Impulse Response

FFT(Frequency Response * Cos(0.5 * PI * MIN(1, MAX(0, |f-F0| * 2.0 / B - 1.0)))^2)

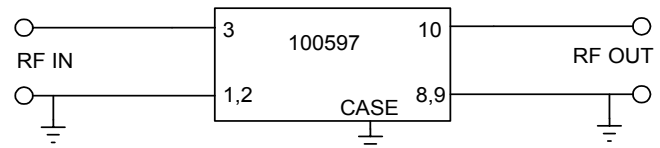


10 dB/div, 1 us/div

Package Outline



Matching



Matched S-parameters available at www.phonon.com