



## 75 Ohm PAL Jack to PAL Jack Adapter

### TECHNICAL DATA SHEET

PE9681

#### 75 Ohm PAL Jack to PAL Jack Adapter

##### Configuration

Connector 1	PAL Jack
Impedance 1	75 Ohms
Connector 2	PAL Jack
Impedance 2	75 Ohms
Adapter Design	Standard
Body Style	Straight

##### Mechanical Specifications

###### Size

Length, in [mm]	0.95 [24.13]
Width/Dia., in [mm]	0.47 [11.94]

###### Connector 1

Type	PAL Jack
Inner Conductor Material and Plating	Nickel
Body Material and Plating	Brass, Nickel
Dielectric Type	Delrin

###### Connector 2

Type	PAL Jack
Inner Conductor Material and Plating	Nickel
Body Material and Plating	Brass, Nickel
Dielectric Type	Delrin

##### Compliance Certifications (visit [www.Pasternack.com](http://www.Pasternack.com) for current document)

##### Plotted and Other Data

Notes: Values at 25 °C, sea level

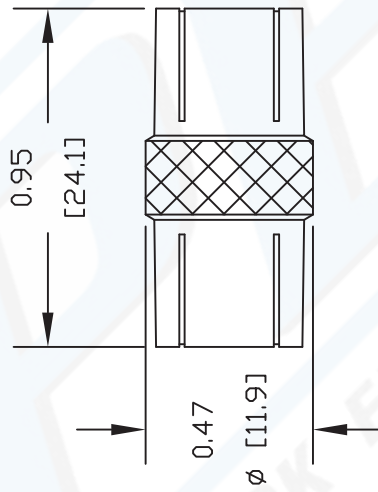
75 Ohm PAL Jack to PAL Jack Adapter from Pasternack Enterprises has same day shipment for domestic and International orders. Our RF, microwave and fiber optic products maintain a 99% availability and are part of the broadest selection in the industry.

Click the following link (or enter part number in "SEARCH" on website) to obtain additional part information including price, inventory and certifications: [75 Ohm PAL Jack to PAL Jack Adapter PE9681](http://www.pasternack.com/pal-jack-pal-jack-straight-adapter-pe9681-p.aspx)

URL: <http://www.pasternack.com/pal-jack-pal-jack-straight-adapter-pe9681-p.aspx>

The information contained in this document is accurate to the best of our knowledge and representative of the part described herein. It may be necessary to make modifications to the part and/or the documentation of the part, in order to implement improvements. Pasternack reserves the right to make such changes as required. Unless otherwise stated, all specifications are nominal.

**PE9681 CAD Drawing**  
75 Ohm PAL Jack to PAL Jack Adapter



NOTES:  
 1. UNLESS OTHERWISE SPECIFIED ALL DIMENSIONS ARE NOMINAL.  
 2. ALL SPECIFICATIONS ARE SUBJECT TO CHANGE WITHOUT NOTICE AT ANY TIME.  
 3. DIMENSIONS ARE IN INCHES [mm].

DWG TITLE		FSCM NO. 53919		CAD FILE	SCALE	SIZE	127
<b>PE9681</b>				022404	N/A	A	
REV.	-						

**PASTERNAK ENTERPRISES, INC.**  
 P O BOX 16759, IRVINE, CA 92623  
 PHONE (949) 261-1920 FAX (949) 261-7451  
 WEB ADDRESS: [www.pasternack.com](http://www.pasternack.com)  
 E-MAIL ADDRESS: [sales@pasternack.com](mailto:sales@pasternack.com)  
**COAXIAL & FIBER OPTICS**

