



WR-284 With CPR-284G Flange to N Female Grooved  
 Waveguide to Coax Adapter Operating From 2.6 GHz to 3.95 GHz

Waveguide to Coax Adapters Technical Data Sheet

PE9842

**Configuration**

Waveguide Size	WR-284
Flange	CPR-284G
RF Connector	N Female
Impedance	50 Ohms
Body Geometry	Right Angle

**Electrical Specifications**

Description	Minimum	Typical	Maximum	Units
Frequency Range	2.6		3.95	GHz
VSWR			1.3:1	

**Mechanical Specifications**

**Size**

Length	2.5 in [63.5 mm]
Width	4.5 in [114.3 mm]
Height	3.165 in [80.39 mm]

**RF Connector**

Connector Type	N Female
Body Material and Plating	Brass, Nickel

**Waveguide Interface**

Waveguide Type	WR-284
Flange Type	CPR-284G
Body Material and Plating	Aluminum

**Compliance Certifications** (visit [www.Pasternack.com](http://www.Pasternack.com) for current document)

Not RoHS Compliant

**Plotted and Other Data**

Notes:

- Values at +25 °C, sea level unless stated otherwise

Click the following link (or enter part number in "SEARCH" on website) to obtain additional part information including price, inventory and certifications: [WR-284 With CPR-284G Flange to N Female Grooved Waveguide to Coax Adapter Operating From 2.6 GHz to 3.95 GHz PE9842](#)



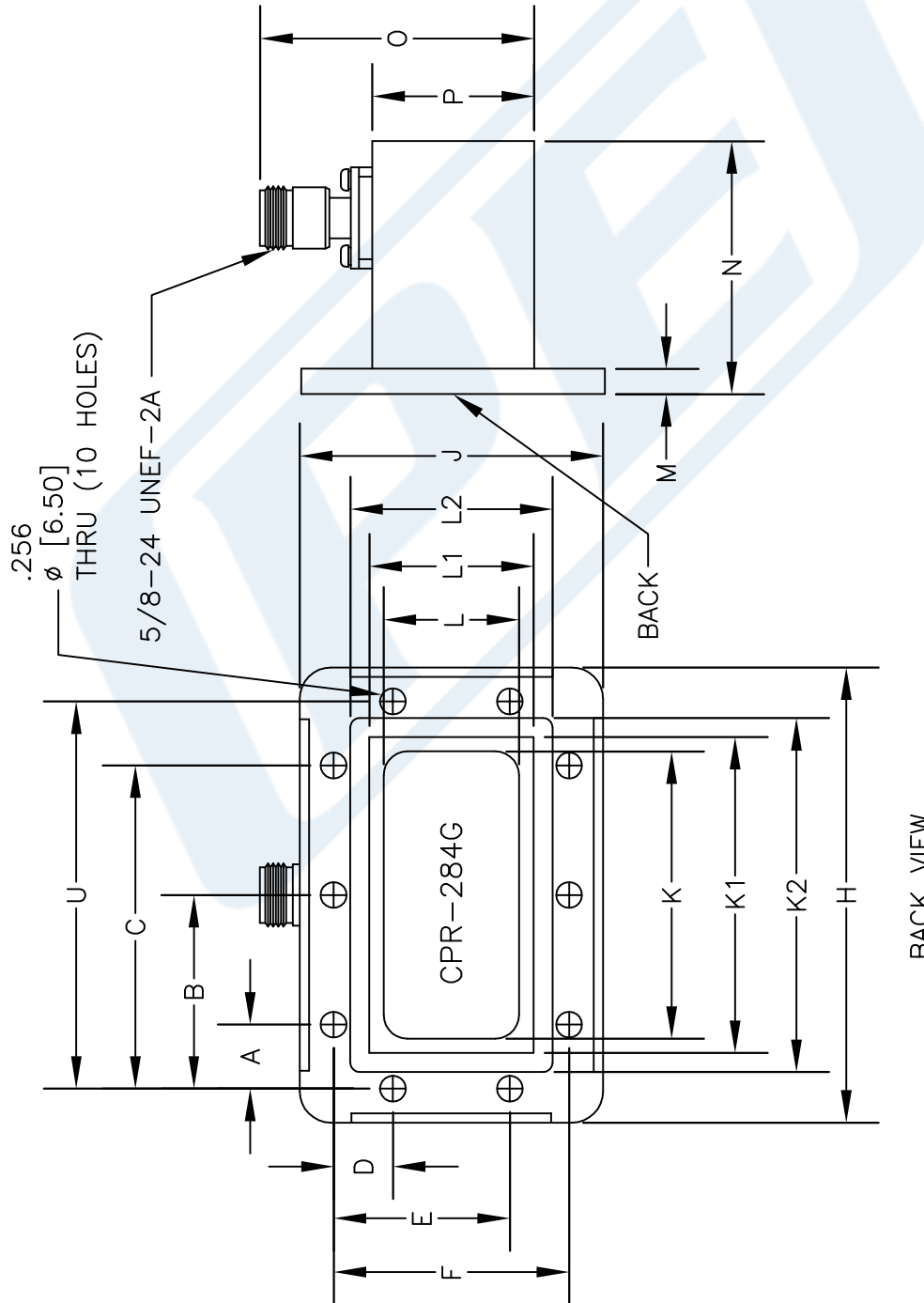


# PE9842 CAD Drawing

WR-284 With CPR-284G Flange to N Female Grooved Waveguide to Coax Adapter Operating From 2.6 GHz to 3.95 GHz

CPR-284G		Inches	mm
Dimension			
A	0.633	16.08	
B	1.913	48.59	
C	3.195	81.15	
U	3.828	97.23	
D	0.585	14.86	
E	1.741	44.22	
F	2.327	59.11	
J	2.999	76.17	
H	4.499	114.27	
K	2.840	72.14	
K1	3.124	79.35	
K2	3.500	88.90	
L	1.339	34.01	
L1	1.623	41.22	
L2	2.001	50.83	

M	0.250	6.35
N	2.500	63.50
O	2.710	68.83
P	1.599	40.61



NOTES:  
 1. UNLESS OTHERWISE SPECIFIED ALL DIMENSIONS ARE NOMINAL.  
 2. ALL SPECIFICATIONS ARE SUBJECT TO CHANGE WITHOUT NOTICE AT ANY TIME.  
 3. DIMENSIONS ARE IN INCHES (mm).

DWG TITLE  
**PE9842**

FSCM NO. 53919

CAD FILE 020315

SCALE N/A

SIZE A

150

**PE PASTERNAK**  
 THE ENGINEER'S RF SOURCE  
 Pasternack Enterprises, Inc.  
 P.O. Box 16759 | Irvine | CA | 92623  
 Phone: (949) 261-1920 | Fax: (949) 261-7451  
 Website: www.pasternack.com | E-Mail: sales@pasternack.com