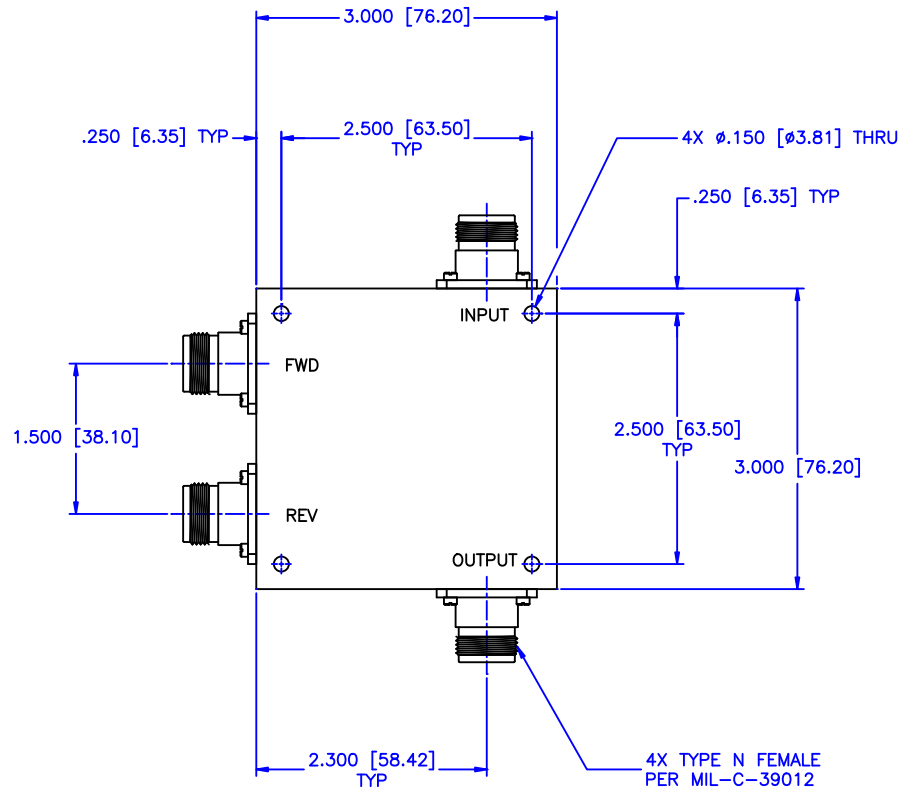
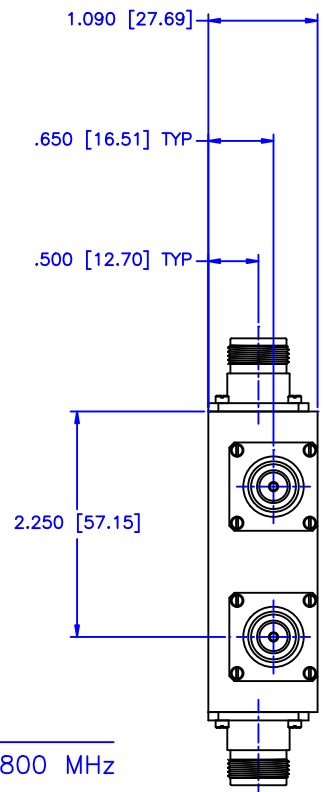


REVISIONS				
ZONE	REV	DESCRIPTION	DATE	APPROVED



ELECTRICAL SPECIFICATIONS:

FREQUENCY RANGE: 235 to 800 MHz
 POWER: 1000W CW (10kW PEAK)
 COUPLING: 0.50 dB FWD/ 40 dB REV
 FLATNESS: ±0.50 dB Max. (Full Band)
 ±0.15 dB (240–225 MHz)
 INSERTION LOSS: 0.25 dB Max. (Full Band)
 0.10 dB Target (240–255MHz)
 VSWR (ML): 1.20 Max. (Full Band)
 1.12 Target (2400–225MHz)
 VSWR (CP): 1.40 Max. (Full Band)
 1.25 Target (Full Band)
 DIRECTIVITY MINIMUM: 20 dB Min. (Full Band)
 25 dB Min. (240–255 MHz)
 MAXIMUM REFLECTED POWER CAPABILITY: 400 W CW

MATERIAL:			MICROWAVE COMMUNICATIONS LABORATORIES INC. 7255 30TH AVE. N. SAINT PETERSBURG, FL 33710 TEL: (727) 344-6254 FAX: (727) 381-6116 http://WWW.MCLI.COM		SCALE: N/A
UNLESS OTHERWISE SPECIFIED: TOLERANCES IN (INCHES) OR [mm] (MILLIMETERS) FRACTIONS: ± 1/64 DECIMALS: ±.01 ±.005 ANGLE: ±1/2°			DRAWING TITLE: HIGH POWER DUAL DIRECTIONAL COUPLER		
DRAWN: Paiboon Luekhamhan		DATE: 09-29-2006		PART NO.: HDL-28-50-40	
APPROVED: T. Nguyen		DATE: 09-29-2006		CAGE CODE: OD2L5	SIZE: C REV: N/A DWG NO.: 82668
PERMISSIVE NOTICE: THE INFORMATION IN THIS DRAWING IS PROPRIETARY AND SHALL NOT BE USED OR DISCLOSED WITHOUT WRITTEN PERMISSION FROM MICROWAVE COMMUNICATIONS LABORATORIES INC. (MCLI)		THIRD ANGLE PROJECTION 		DO NOT SCALE THE DRAWING	