

OUTPUT A (J2)

Frequency

80 MHz

Level

+13 dBm ±2 dB into 50 ohms

Phase Noise L(f), Static

100 Hz -130 dBc/Hz

1 kHz -158 dBc/Hz

10 kHz -175 dBc/Hz

100 kHz -176 dBc/Hz

OUTPUT B (J1)

Frequency

320 MHz

Level

+13 dBm ±2 dB into 50 ohms

Phase Noise L(f), Static

100 Hz -118 dBc/Hz

1 kHz -143 dBc/Hz

10 kHz -160 dBc/Hz

100 kHz -161 dBc/Hz

STABILITY

Aging

1 x 10⁻⁶ first year

after 30 days operating, typical

5 x 10⁻⁷ second year, typical

3 x 10⁻⁷ per year thereafter, typical

Temperature Stability

±5 x 10⁻⁷, 0° to +50°C (Ref +25°C)

Harmonics

≤ -25 dBc

Sub-Harmonics

≤ -50 dBc

Non-Harmonic Spurious

≤ -80 dBc, excluding power supply line related spurs

MECHANICAL

Dimensions

2" x 2" x 1.3"

Connectors

SMA(f) and solder pins on one side

Packaging

Nickel-plated machined aluminum housing (CVP-2A)

Mounting

Threaded inserts, # 2-56, 4 places
Tapped holes on sides, 16 places
(provisions for shock mounts)

POWER REQUIREMENTS

Warm-Up Power

≤ 9 Watts for 5 minutes at +25°C

Total Power

≤ 6 Watts at +25°C

Supply Voltage

+15 VDC ±5%

ADJUSTMENT

Mechanical Tuning

±4 x 10⁻⁶

Electrical Tuning

±2 x 10⁻⁷ min, ±5 VDC

Negative slope

CRYSTAL

Type

80 MHz SC-cut (x4)

Acceleration Sensitivity

≤ 5 x 10⁻¹⁰ /g per axis, typical

ENVIRONMENTAL

Operating Temperature

0° to +50°C

Storage Temperature

-40° to +85°C

OTHER

Label

Use conventional label with the following information:

501-26689 (Current Rev.)

80/320 MHz Citrine

+15 VDC

Serial # - Date Code

(Mark connectors with function)

Test Data

Output Level

Phase Noise – Static

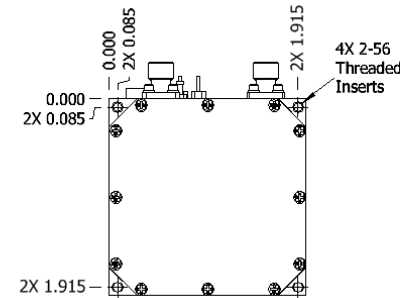
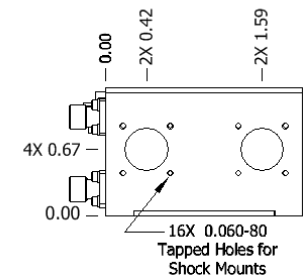
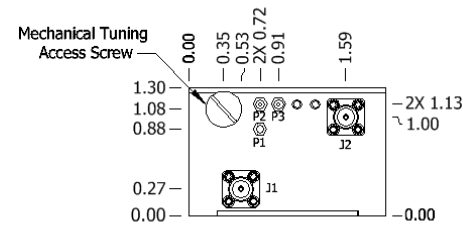
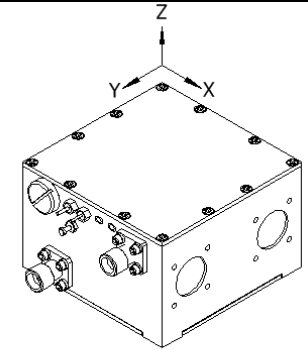
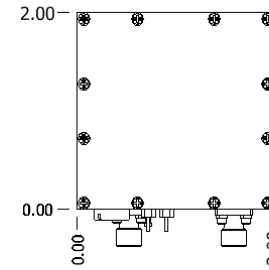
Temperature Stability

Harmonics, Subs, Spurious

Power - Warm-up and Total

Tuning – MT and ET

| REV | DATE | REVISION RECORD | DWN | AUTH |
|-----|----------|-----------------|-----|------|
| - | 03-21-13 | Initial Release | PAC | |
| | | | | |
| | | | | |
| | | | | |
| | | | | |



| CVP-2A | |
|-----------|-------------------|
| Connector | Function |
| P1 | Ground, Case |
| P2 | Supply Voltage |
| P3 | Electrical Tuning |
| J1 | RF Output B |
| J2 | RF Output A |

Connector numbers are for reference only and will not be marked on unit.

Wenzel Associates, Inc.

Austin, Texas

Title:

Premium 80/320 MHz Citrine Plus Crystal Oscillator

P/N:

501-26689

Rev:

-

Date:

03-21-13

Drawn:

Ref:

ULN

Tolerances:
(except as noted)
Dimensions are in inches

0.XX Dec:
±0.030"

0.XXX Dec:
±0.010"

FSCM:
62821

Page 1 of 1