



Precision SMA Male to SMA Female Adapter Max. Freq. 18 GHz.

TECHNICAL DATA SHEET

PE9694

Precision SMA Male to SMA Female Adapter Max. Freq. 18 GHz.

Configuration

Connector 1	SMA Male
Impedance 1	50 Ohms
Connector 2	SMA Female
Impedance 2	50 Ohms
Adapter Design	Precision
Body Style	Straight

Electrical Specifications

Frequency Range, GHz	DC to 18
Maximum VSWR	1.15:1

Mechanical Specifications

Size

Length, in [mm]	0.852 [21.64]
Width/Dia., in [mm]	0.312 [7.92]

Connector 1

Type	SMA Male
Inner Conductor Material and Plating	Gold
Coupling Nut Material and Plating	Brass, Nickel
Body Material and Plating	Brass, Nickel
Dielectric Type	PTFE

Connector 2

Type	SMA Female
Inner Conductor Material and Plating	Gold
Body Material and Plating	Brass, Nickel
Dielectric Type	PTFE

Compliance Certifications (visit www.Pasternack.com for current document)

RoHS Compliant	Yes
----------------	-----

Click the following link (or enter part number in "SEARCH" on website) to obtain additional part information including price, inventory and certifications: [Precision SMA Male to SMA Female Adapter Max. Freq. 18 GHz. PE9694](#)

The information contained in this document is accurate to the best of our knowledge and representative of the part described herein. It may be necessary to make modifications to the part and/or the documentation of the part, in order to implement improvements. Pasternack reserves the right to make such changes as required. Unless otherwise stated, all specifications are nominal.





Precision SMA Male to SMA Female Adapter Max. Freq. 18 GHZ.

TECHNICAL DATA SHEET

PE9694

Plotted and Other Data

Notes:

Values at 25 °C, sea level

Precision SMA Male to SMA Female Adapter Max. Freq. 18 GHZ. from Pasternack Enterprises has same day shipment for domestic and International orders. Our RF, microwave and fiber optic products maintain a 99% availability and are part of the broadest selection in the industry.

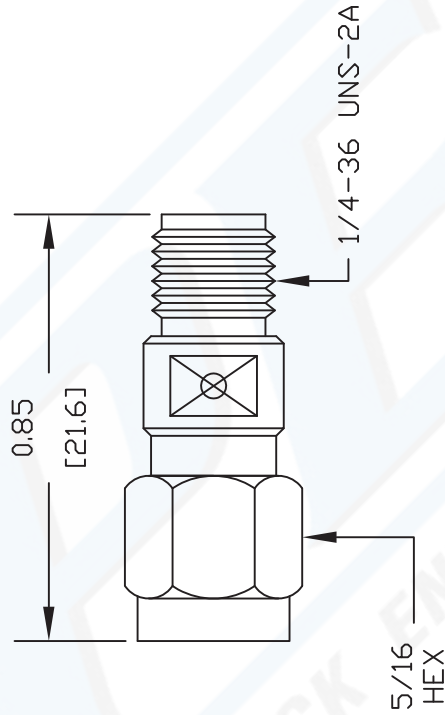
Click the following link (or enter part number in "SEARCH" on website) to obtain additional part information including price, inventory and certifications: [Precision SMA Male to SMA Female Adapter Max. Freq. 18 GHZ. PE9694](http://www.pasternack.com/sma-male-sma-female-straight-adapter-pe9694-p.aspx)

URL: <http://www.pasternack.com/sma-male-sma-female-straight-adapter-pe9694-p.aspx>

The information contained in this document is accurate to the best of our knowledge and representative of the part described herein. It may be necessary to make modifications to the part and/or the documentation of the part, in order to implement improvements. Pasternack reserves the right to make such changes as required. Unless otherwise stated, all specifications are nominal.

PE9694 CAD Drawing

Precision SMA Male to SMA Female Adapter Max. Freq. 18 GHZ.



DWG TITLE

PE9694

NOTES:
1. UNLESS OTHERWISE SPECIFIED ALL DIMENSIONS ARE NOMINAL.
2. ALL SPECIFICATIONS ARE SUBJECT TO CHANGE WITHOUT NOTICE AT ANY TIME.
3. DIMENSIONS ARE IN INCHES [mm].

REV. -

FSCM NO. 53919

CAD FILE 010903

SCALE N/A

SIZE A

127

PASTERNAK ENTERPRISES, INC.

P O BOX 16759, IRVINE, CA 92623
PHONE (949) 261-1920 FAX (949) 261-7451

WEB ADDRESS: www.pasternack.com
E-MAIL ADDRESS: sales@pasternack.com

COAXIAL & FIBER OPTICS

