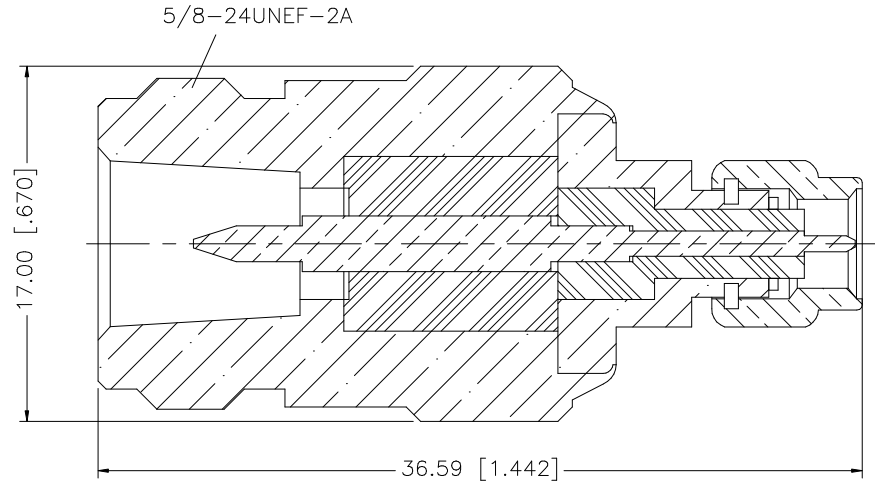


REV.	DATE	DESCRIPTION
NC	05/21/07	INITIAL RELEASE



8					<small>UNLESS OTHERWISE SPECIFIED DIMENSIONS ARE IN MILLIMETERS. DIMENSIONS IN [] ARE IN INCHES AND FOR CUSTOMER REFERENCE ONLY.</small> <small>UNLESS OTHERWISE SPECIFIED TOLERANCES FOR MILLIMETERS ARE:</small> 0.5 - 8mm ± 0.20mm 8 - 30mm ± 0.40mm 30 - 120mm ± 0.50mm <small>UNLESS OTHERWISE SPECIFIED TOLERANCES FOR INCHES ARE:</small> .020 - .315 = ± 0.007" .315 - 1.180 = ± 0.015" 1.180 - 4.724 = ± 0.020" DO NOT SCALE DRAWING	APPROVALS	DATE	<h1 style="color: blue;">Amphenol Connex</h1>	
7				DRAWN		G.R.S.	05/21/07		PART DESCRIPTION <h2 style="text-align: center;">N R/P JACK TO SMA PLUG ADAPTER</h2>
6				CHECKED					
5				ISSUED					
4					SHEET	1 OF 1		PART NO. <h2 style="text-align: center;">242112RP-10</h2>	
3	CONTACT PIN	BRASS	GOLD	1	CAD FILE	C:/242/242112RP-10.DWG			DWG. NO. 242112RP-10.DWG REV. NC SIZE A SCALE NA
2	INSULATOR	TEFLON	NATURAL	1					
1	BODY	BRASS	NEXCOTE	1					
	DESCRIPTION	MATERIAL	FINISH	QTY					