



## SMA Male to GR874 Sexless Adapter

### TECHNICAL DATA SHEET

PE9259

#### SMA Male to GR874 Sexless Adapter

##### Configuration

Connector 1	SMA Male
Impedance 1	50 Ohms
Connector 2	GR874 Sexless
Impedance 2	50 Ohms
Adapter Design	Standard
Body Style	Straight

##### Mechanical Specifications

###### Size

Length, in [mm]	1.838 [46.69]
Width/Dia., in [mm]	0.81 [20.57]

###### Connector 1

Type	SMA Male
Inner Conductor Material and Plating	Gold
Body Material and Plating	Brass, Nickel
Dielectric Type	PTFE

###### Connector 2

Type	GR874 Sexless
Inner Conductor Material and Plating	Nickel
Body Material and Plating	Brass, Nickel
Dielectric Type	PTFE

##### Compliance Certifications (visit [www.Pasternack.com](http://www.Pasternack.com) for current document)

##### Plotted and Other Data

Notes: Values at 25 °C, sea level

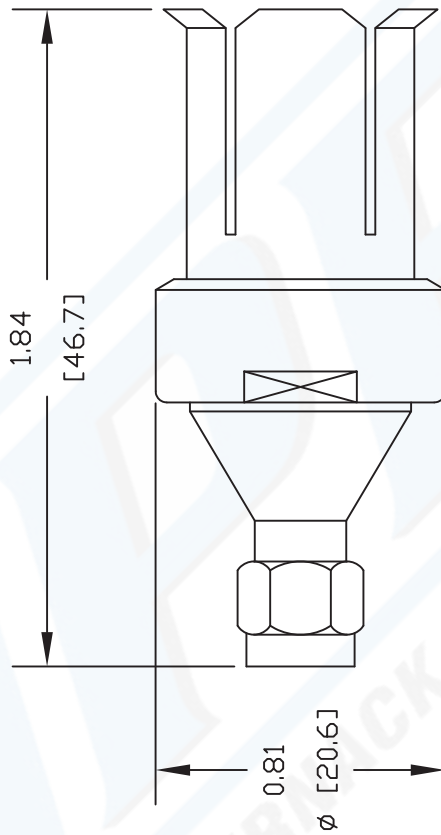
SMA Male to GR874 Sexless Adapter from Pasternack Enterprises has same day shipment for domestic and International orders. Our RF, microwave and fiber optic products maintain a 99% availability and are part of the broadest selection in the industry.

Click the following link (or enter part number in "SEARCH" on website) to obtain additional part information including price, inventory and certifications: [SMA Male to GR874 Sexless Adapter PE9259](http://www.pasternack.com/sma-male-to-gr874-sexless-straight-adapter-pe9259-p.aspx)

URL: <http://www.pasternack.com/sma-male-to-gr874-sexless-straight-adapter-pe9259-p.aspx>

The information contained in this document is accurate to the best of our knowledge and representative of the part described herein. It may be necessary to make modifications to the part and/or the documentation of the part, in order to implement improvements. Pasternack reserves the right to make such changes as required. Unless otherwise stated, all specifications are nominal.

**PE9259 CAD Drawing**  
SMA Male to GR874 Sexless Adapter



DWG TITLE

**PE9259**

NOTES:  
1. UNLESS OTHERWISE SPECIFIED ALL DIMENSIONS ARE NOMINAL.  
2. ALL SPECIFICATIONS ARE SUBJECT TO CHANGE WITHOUT NOTICE AT ANY TIME.  
3. DIMENSIONS ARE IN INCHES [mm].

REV. -

FSCM NO. 53919

CAD FILE 090302

SCALE N/A

SIZE A

127



Pasternack Enterprises, Inc.  
P.O. Box 16759 | Irvine | CA | 92623  
Phone: (949) 261-1920 | Fax: (949) 261-7451  
Website: www.pasternack.com | E-Mail: sales@pasternack.com