

Model 1431 High Power, N & 3.5mm Connectors Convection Cooled

dc to 18.0 GHz
100 Watts

RoHS



Features

- /// Designed to meet environmental requirements of MIL-D-39030.
- /// Rugged injection molded connector.
- /// 1 Kilowatt Peak Power

Specifications

NOMINAL IMPEDANCE: 50 Ω

FREQUENCY RANGE: dc to 18.0 GHz

MAXIMUM SWR:	
Frequency (GHz)	SWR
dc - 8	1.20
8 - 18	1.30

POWER RATING: 100 watts average (mounted horizontally assuming unobstructed air flow and natural convection around unit) @ 25°C ambient temperature, derated linearly to 10 watts @ 125°C. 1 kilowatt peak (5 μsec pulse width; 5% duty cycle).

TEMPERATURE RANGE: -55°C to +125°C

TEST DATA: Swept data plots of SWR from 50 MHz to 18 GHz is available at additional cost.

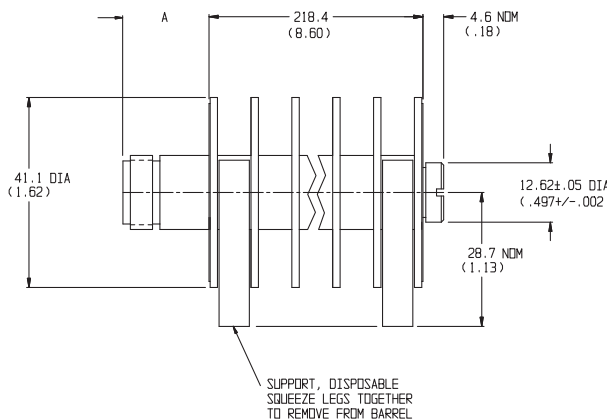
CONNECTOR: Type N connector mates nondestructively with MIL-C-39012 connector. Choice of male (-4) or female connector (-3).

3.5mm connector mates nondestructively with SMA per MIL-C-39012, 2.92mm and other 3.5mm connector. Choice of male (-2) or female connector (-1).

CONSTRUCTION: Black, finned aluminum body, stainless steel connector; gold plated beryllium copper contact or stainless steel male contact.

WEIGHT: 320 g (11 oz)

PHYSICAL DIMENSIONS:



Model #	DIM A	Connector Type
1431-1	13.2 (0.52)	3.5mm female
1431-2	14.0 (0.55)	3.5mm male
1431-3	18.3 (0.72)	N female
1431-4	23.1 (0.91)	N male

NOTE: All dimensions are given in mm (inches) and are maximum, unless otherwise specified.