

# Analog Devices Welcomes Hittite Microwave Corporation

NO CONTENT ON THE ATTACHED DOCUMENT HAS CHANGED



**THIS PAGE INTENTIONALLY LEFT BLANK**

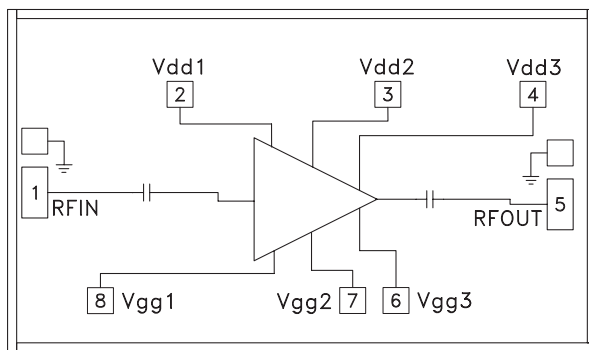
## GaAs PHEMT MMIC LOW NOISE AMPLIFIER, 20 - 32 GHz

### Typical Applications

The HMC518 is ideal for use as a LNA or driver amplifier for:

- Point-to-Point Radios
- Point-to-Multi-Point Radios & VSAT
- Test Equipment and Sensors
- Military & Space

### Functional Diagram



### Features

- Noise Figure: 3 dB
- Gain: 15 dB
- OIP3: 23 dBm
- Single Supply: +3V @ 65 mA
- 50 Ohm Matched Input/Output
- Die Size: 2.27 x 1.32 x 0.1 mm

### General Description

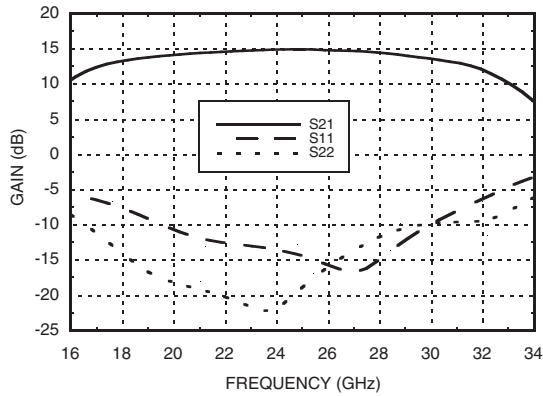
The HMC518 chip is a high dynamic range GaAs PHEMT MMIC Low Noise Amplifier (LNA) which covers the 20 to 32 GHz frequency range. The HMC518 provides 15 dB of small signal gain, 3 dB of noise figure and has an output IP3 greater than 23 dBm. The chip can easily be integrated into hybrid or MCM assemblies due to its small size. All data is tested with the chip in a 50 Ohm test fixture connected via 0.075mm (3 mil) ribbon bonds of minimal length 0.31 mm (12 mil). Two 0.025 mm (1 mil) diameter bondwires may also be used to make the RFIN and RFOUT connections.

### Electrical Specifications, $T_A = +25^\circ \text{C}$ , Vdd 1, 2, 3 = +3V

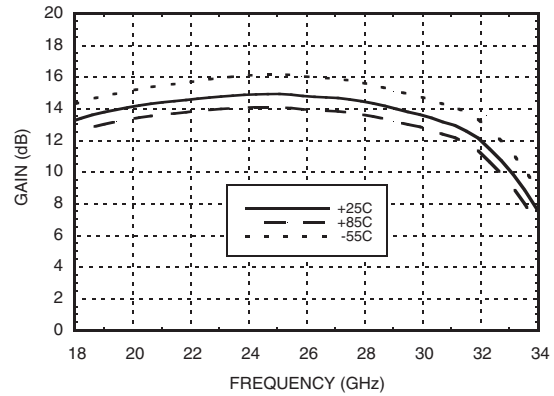
| Parameter  | Min.    | Typ.  | Max.    | Min. | Typ.  | Max.  | Units  |
|--|---------|-------|---------|------|-------|-------|--------|
| Frequency Range  | 20 - 28 |       | 28 - 32 |      |       |       | GHz    |
| Gain   | 12      | 15    |         | 10   | 13    |       | dB     |
| Gain Variation Over Temperature                          |         | 0.015 | 0.025   |      | 0.015 | 0.025 | dB/ °C |
| Noise Figure   |         | 3.0   | 4.0     |      | 3.5   | 5.5   | dB     |
| Input Return Loss  |         | 13    |         |      | 10    |       | dB     |
| Output Return Loss                                       |         | 15    |         |      | 10    |       | dB     |
| Output Power for 1 dB Compression (P1dB)                 | 9       | 12    |         | 9    | 12    |       | dBm    |
| Saturated Output Power (P <sub>sat</sub> )               |         | 14    |         |      | 16    |       | dBm    |
| Output Third Order Intercept (IP3)                       |         | 23    |         |      | 25    |       | dBm    |
| Supply Current (I <sub>dd</sub> )(V <sub>dd</sub> = +3V) |         | 65    | 88      |      | 65    | 88    | mA     |

**GaAs PHEMT MMIC LOW NOISE  
AMPLIFIER, 20 - 32 GHz**

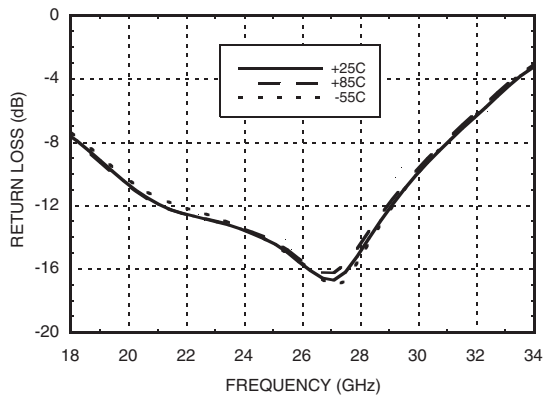
**Broadband Gain & Return Loss**



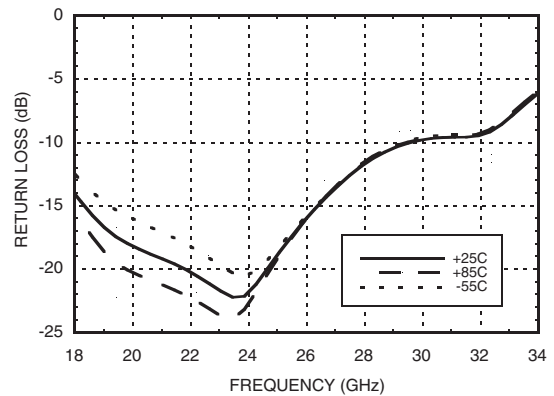
**Gain vs. Temperature**



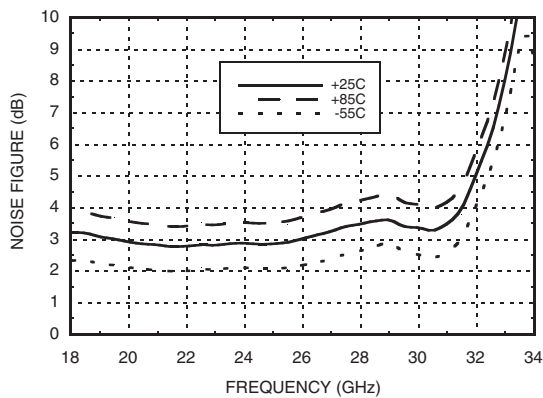
**Input Return Loss vs. Temperature**



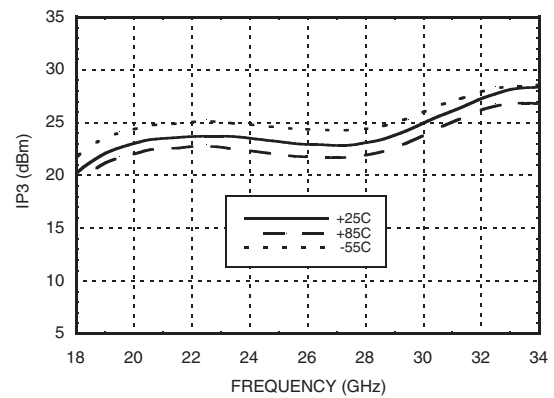
**Output Return Loss vs. Temperature**



**Noise Figure vs. Temperature**

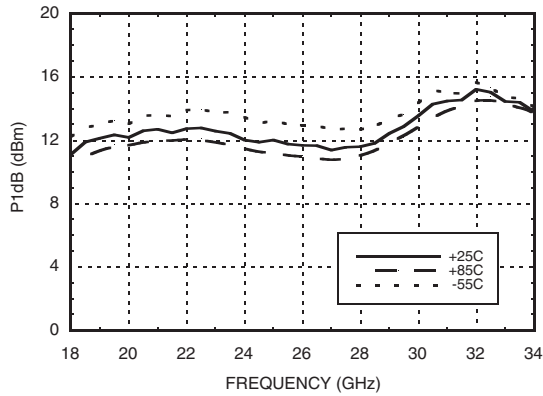


**Output IP3 vs. Temperature**

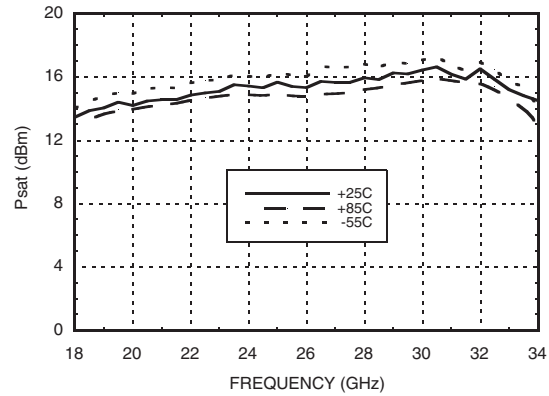


**GaAs PHEMT MMIC LOW NOISE AMPLIFIER, 20 - 32 GHz**

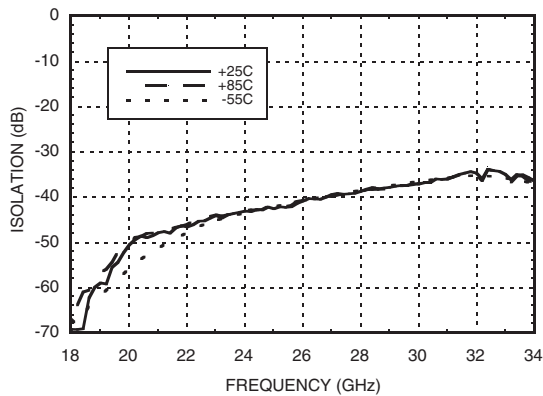
**P1dB vs. Temperature**



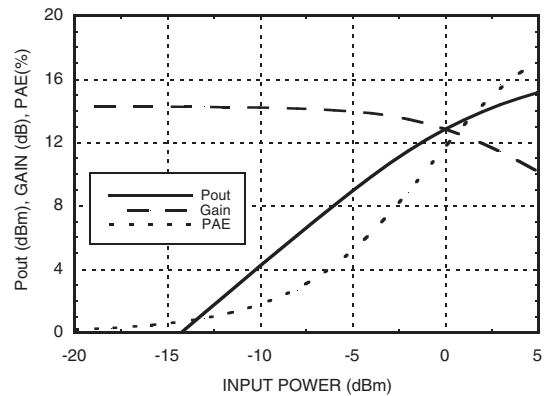
**Psat vs. Temperature**



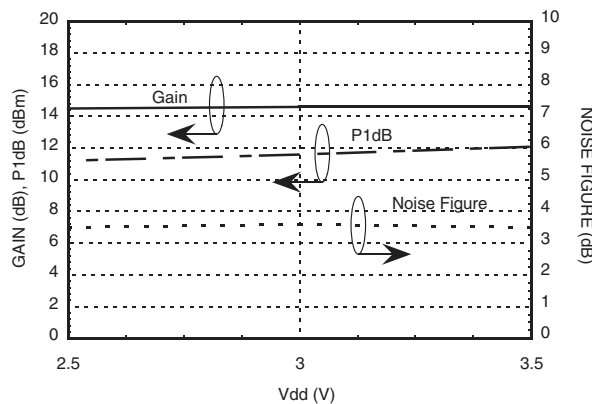
**Reverse Isolation vs. Temperature**



**Power Compression @ 29 GHz**



**Gain, Noise Figure & Power vs. Supply Voltage @ 29 GHz**



**GaAs PHEMT MMIC LOW NOISE  
AMPLIFIER, 20 - 32 GHz**

**Absolute Maximum Ratings**

|  |                |
|--|----------------|
| Drain Bias Voltage (Vdd1, Vdd2, Vdd3)                                    | +5.5 Vdc       |
| RF Input Power (RFIN)(Vdd = +3.0 Vdc)                                    | +7 dBm         |
| Channel Temperature  | 175 °C         |
| Continuous P <sub>diss</sub> (T= 85 °C)<br>(derate 29 mW/°C above 85 °C) | 2.65 W         |
| Thermal Resistance<br>(channel to die bottom)                            | 34 °C/W        |
| Storage Temperature  | -65 to +150 °C |
| Operating Temperature  | -55 to +85 °C  |
| ESD Sensitivity (HBM)  | Class 1A       |

**Typical Supply Current vs. Vdd**

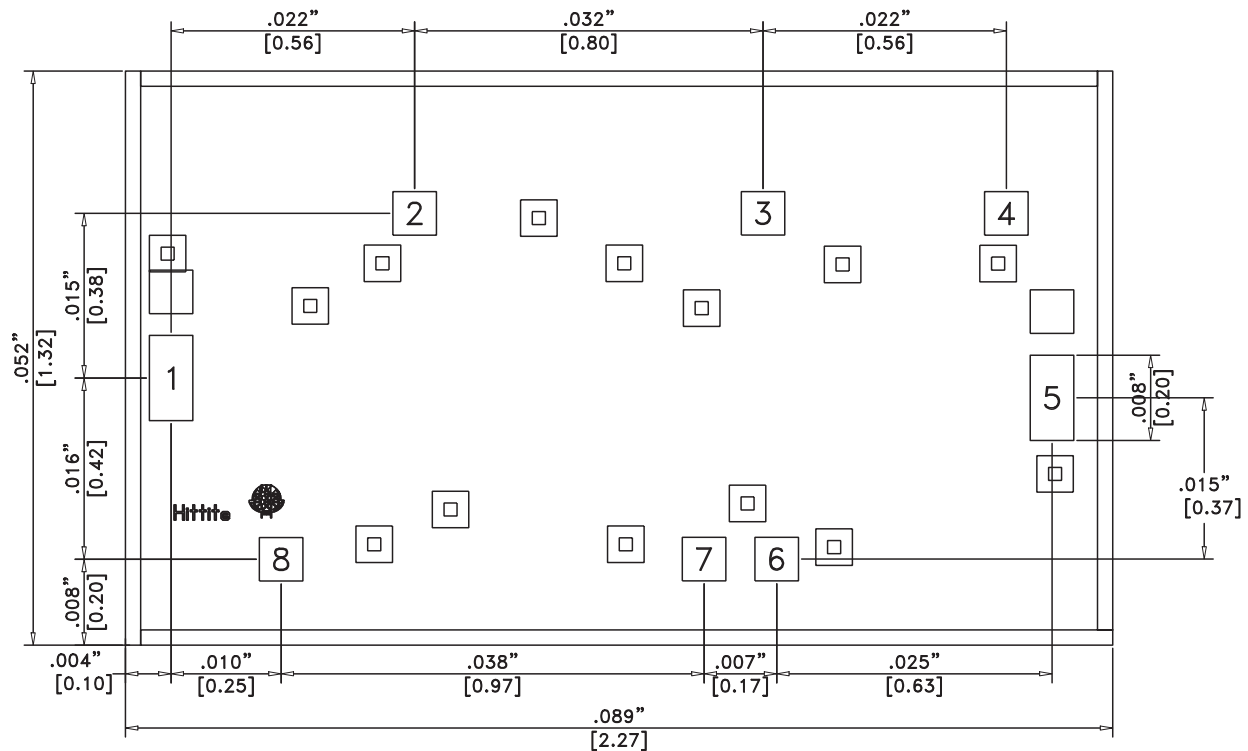
| Vdd (Vdc) | I <sub>dd</sub> (mA) |
|-----------|----------------------|
| +2.5      | 61                   |
| +3.0      | 65                   |
| +3.5      | 69                   |

Note: Amplifier will operate over full voltage ranges shown above.



**ELECTROSTATIC SENSITIVE DEVICE  
OBSERVE HANDLING PRECAUTIONS**

**Outline Drawing**



**Die Packaging Information [1]**

| Standard        | Alternate |
|-----------------|-----------|
| GP-2 (Gel Pack) | [2]       |

[1] Refer to the "Packaging Information" section for die packaging dimensions.

[2] For alternate packaging information contact Hittite Microwave Corporation.

**NOTES:**

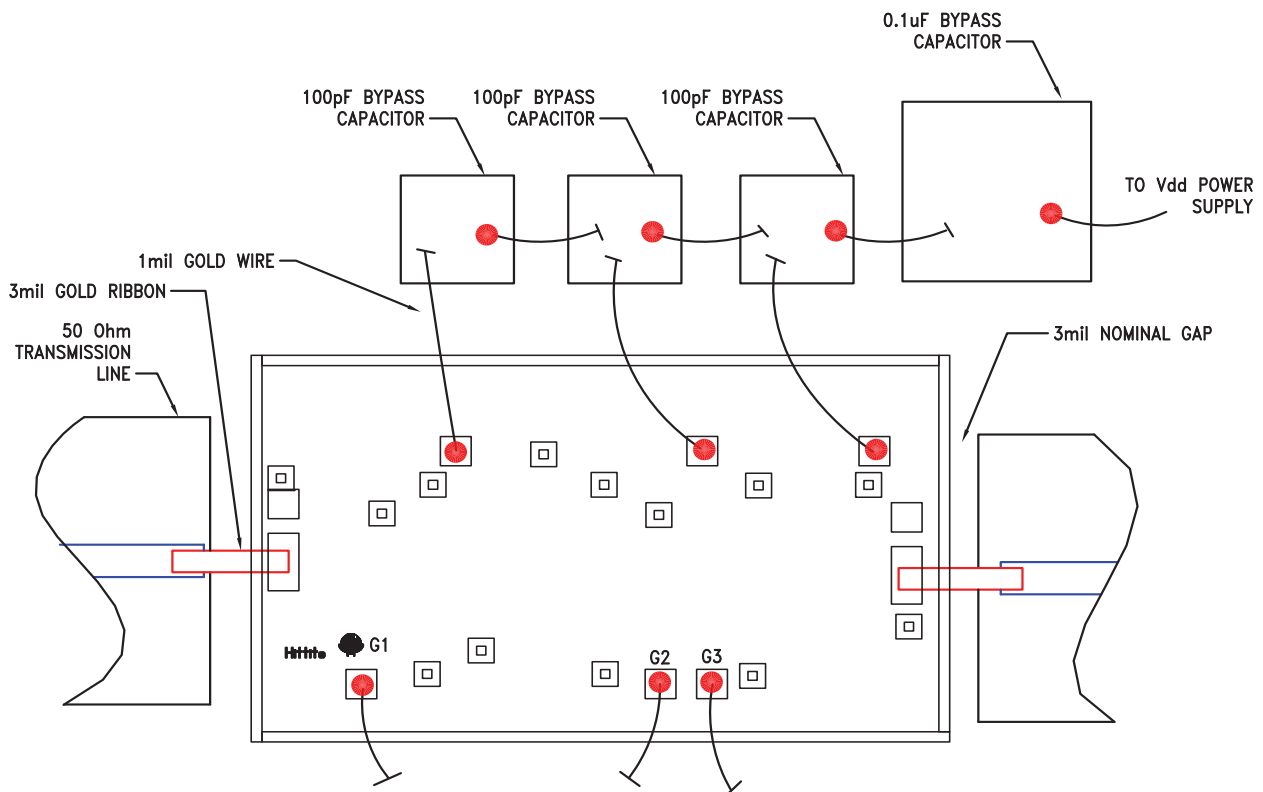
1. ALL DIMENSIONS ARE IN INCHES [MM]
2. DIE THICKNESS IS .004"
3. TYPICAL BOND IS .004" SQUARE
4. BACKSIDE METALLIZATION: GOLD
5. BOND PAD METALLIZATION: GOLD
6. BACKSIDE METAL IS GROUND.
7. CONNECTION NOT REQUIRED FOR UNLABELED BOND PADS.

**GaAs PHEMT MMIC LOW NOISE  
AMPLIFIER, 20 - 32 GHz**

**Pad Descriptions**

| Pad Number | Function         | Description   | Interface Schematic  |
|------------|------------------|---|----------------------|
| 1          | RFIN             | This pad is AC coupled and matched to 50 Ohms.  | RFIN ○ —  —          |
| 2, 3, 4    | Vdd1, 2, 3       | Power Supply Voltage for the amplifier. External bypass capacitors of 100 pF and 0.1 μF are required. | ○ Vdd1,2,3<br>  <br> |
| 5          | RFOUT            | This pad is AC coupled and matched to 50 Ohms.  | —  — ○ RFOUT         |
| 6, 7, 8    | Vgg3, Vgg2, Vgg1 | These pads must be connected to RF/DC ground for proper operation.                                    |                      |
| Die Bottom | GND              | Die Bottom must be connected to RF/DC ground.   | ○ GND<br>  <br>      |

**Assembly Diagram**



Note: Vgg1, Vgg2 and Vgg3 must be connected to RF/DC ground.

For price, delivery, and to place orders, please contact Hittite Microwave Corporation:  
20 Alpha Road, Chelmsford, MA 01824 Phone: 978-250-3343 Fax: 978-250-3373  
Order On-line at [www.hittite.com](http://www.hittite.com)

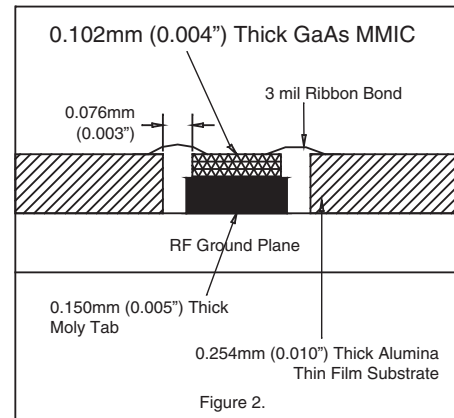
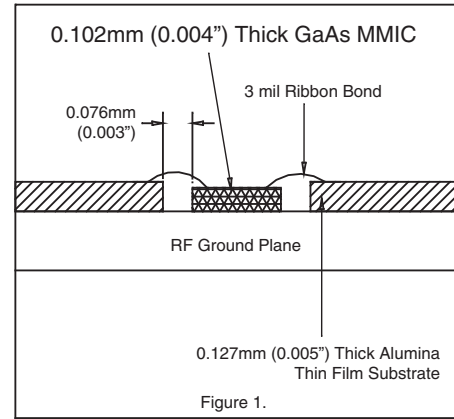
**GaAs PHEMT MMIC LOW NOISE  
AMPLIFIER, 20 - 32 GHz**

**Mounting & Bonding Techniques for Millimeterwave GaAs MMICs**

The die should be attached directly to the ground plane eutectically or with conductive epoxy (see *HMC general Handling, Mounting, Bonding Note*).

50 Ohm Microstrip transmission lines on 0.127mm (5 mil) thick alumina thin film substrates are recommended for bringing RF to and from the chip (Figure 1). If 0.254mm (10 mil) thick alumina thin film substrates must be used, the die should be raised 0.150mm (6 mils) so that the surface of the die is coplanar with the surface of the substrate. One way to accomplish this is to attach the 0.102mm (4 mil) thick die to a 0.150mm (6 mil) thick molybdenum heat spreader (moly-tab) which is then attached to the ground plane (Figure 2).

Microstrip substrates should brought as close to the die as possible in order to minimize bond wire length. Typical die-to-substrate spacing is 0.076mm to 0.152 mm (3 to 6 mils). Gold ribbon of 0.075 mm (3mils) width and minimum < 0.31 mm (<12 mils) is recommended.



**Handling Precautions**

Follow these precautions to avoid permanent damage.

**Storage:** All bare die are placed in either Waffle or Gel based ESD protective containers, and then sealed in an ESD protective bag for shipment. Once the sealed ESD protective bag has been opened, all die should be stored in a dry nitrogen environment.

**Cleanliness:** Handle the chips in a clean environment. DO NOT attempt to clean the chip using liquid cleaning systems.

**Static Sensitivity:** Follow ESD precautions to protect against ESD strikes.

**Transients:** Suppress instrument and bias supply transients while bias is applied. Use shielded signal and bias cables to minimize inductive pick-up.

**General Handling:** Handle the chip along the edges with a vacuum collet or with a sharp pair of bent tweezers. The surface of the chip has fragile air bridges and should not be touched with vacuum collet, tweezers, or fingers.

**Mounting**

The chip is back-metallized and can be die mounted with AuSn eutectic preforms or with electrically conductive epoxy. The mounting surface should be clean and flat.

**Eutectic Die Attach:** A 80/20 gold tin preform is recommended with a work surface temperature of 255 °C and a tool temperature of 265 °C. When hot 90/10 nitrogen/hydrogen gas is applied, tool tip temperature should be 290 °C. DO NOT expose the chip to a temperature greater than 320 °C for more than 20 seconds. No more than 3 seconds of scrubbing should be required for attachment.

**Epoxy Die Attach:** Apply a minimum amount of epoxy to the mounting surface so that a thin epoxy fillet is observed around the perimeter of the chip once it is placed into position. Cure epoxy per the manufacturer's schedule.

**Wire Bonding**

RF bonds made with 0.003" x 0.0005" ribbon are recommended. These bonds should be thermosonically bonded with a force of 40-60 grams. DC bonds of 0.001" (0.025 mm) diameter, thermosonically bonded, are recommended. Ball bonds should be made with a force of 40-50 grams and wedge bonds at 18-22 grams. All bonds should be made with a nominal stage temperature of 150 °C. A minimum amount of ultrasonic energy should be applied to achieve reliable bonds. All bonds should be as short as possible, less than 12 mils (0.31 mm).