

KR Electronics

General Description

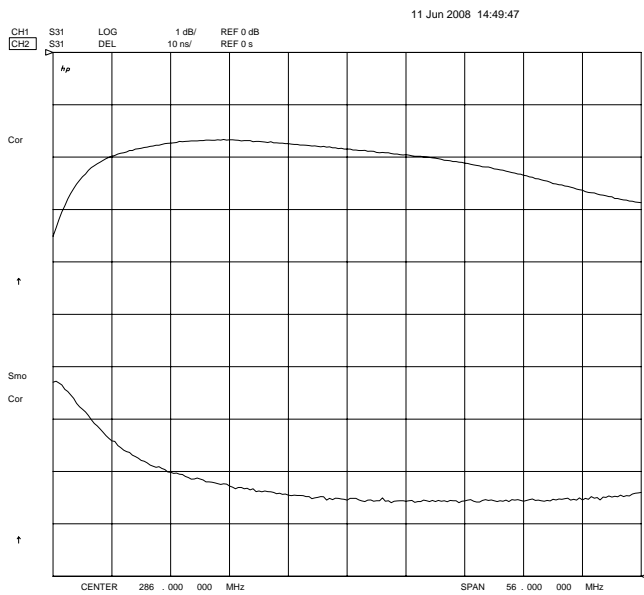
KR 2841 is a 286 MHz surface mount bandpass filter. The filter has a minimum 3 dB bandwidth of 56 MHz. Other passband frequencies are available. Please consult the factory.

Features

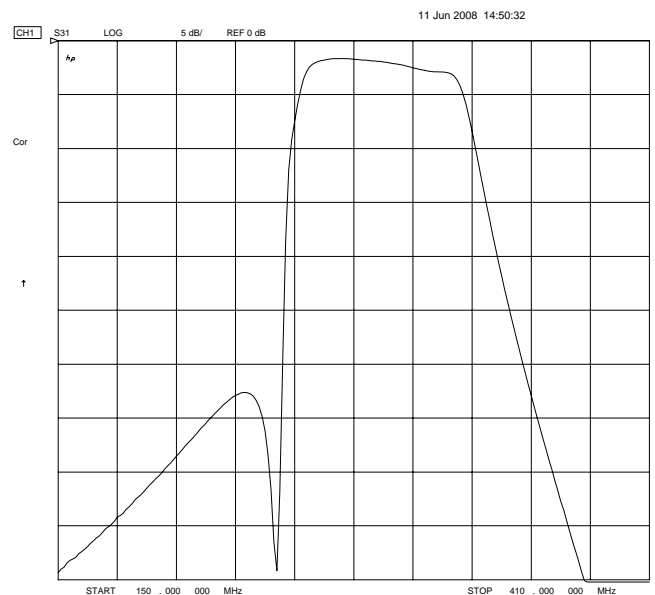
- 286 MHz Center Frequency
- Surface Mount Package
- 50 Ω Source and Load

Typical Performance

Passband Amplitude & Group Delay
(1 dB/div and 10 nsec/div)



Overall Response
(5 dB/div)



KR Electronics, Inc.
91 Avenel Street
Avenel, NJ 07001

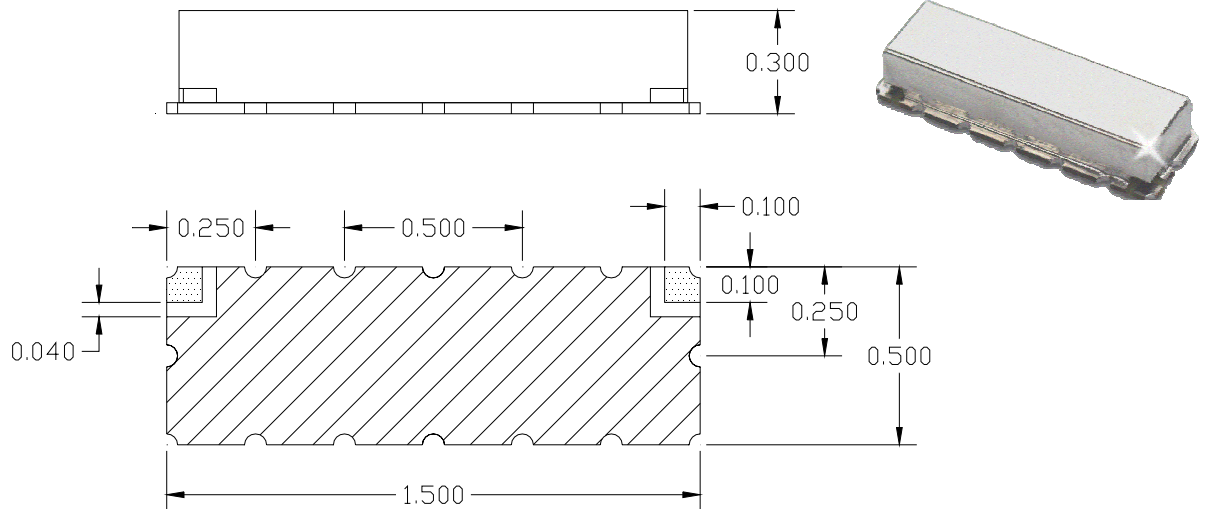
Web www.krfilters.com
Email sales@krfilters.com
Phone (732) 636-1900
Fax (732) 636-1982

KR Electronics 2841

Specifications

Parameter	Specification	
Filter type	Bandpass	
Center Frequency	286 MHz	
Insertion Loss	< 3 dB	
3 dB Bandwidth	56 MHz min	
Attenuation at 250 MHz	15 dB min	
Attenuation at 156 MHz	40 dB min	Typical 46 dB
Attenuation at 390 MHz	45 dB min	Typical 54 dB
Source and Load	50 Ω	

Physical Dimensions



Notes:

1. Surface mount package — Metal cover, open frame
2. Dimensions in inches
3. Maximum reflow temperature 209° C for 10 seconds maximum
4. If boards are cleaned after installation, units must be completely dried