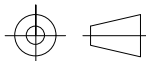
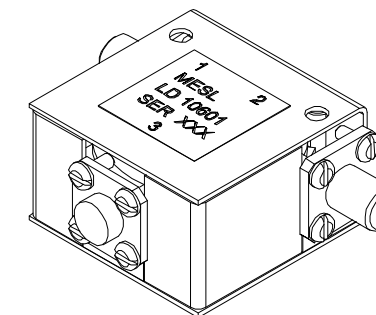
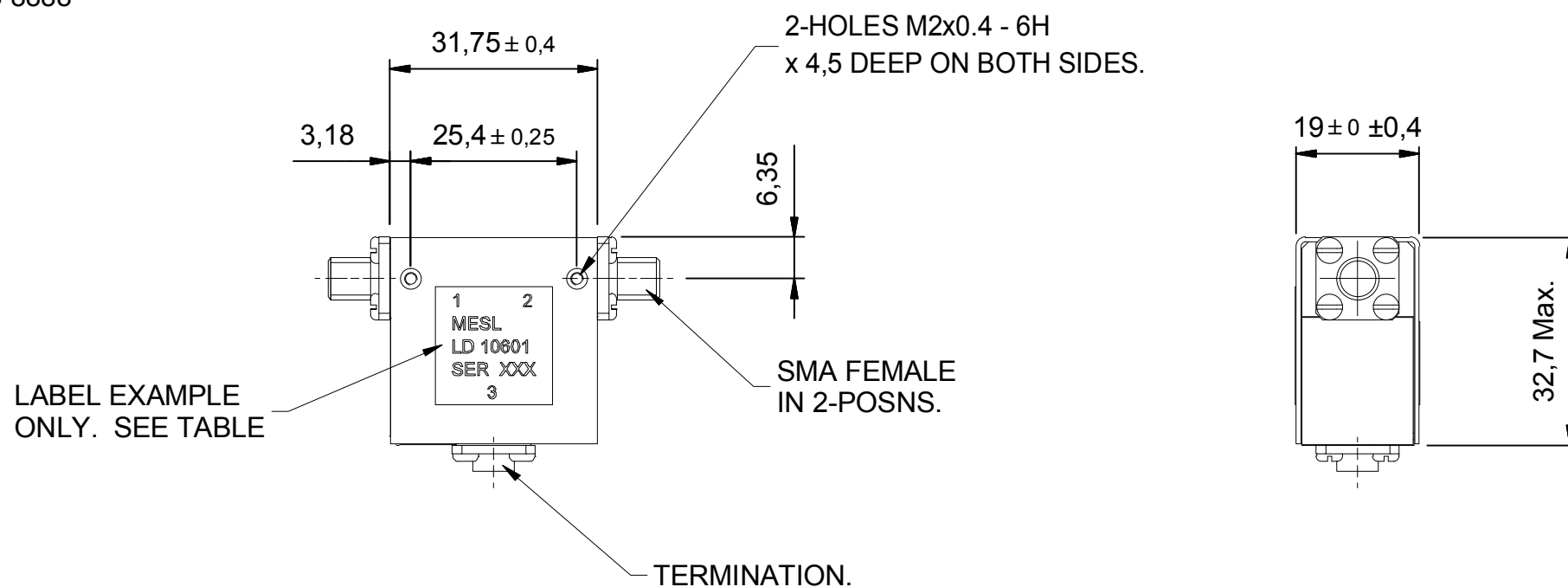


3rd ANGLE PROJECTION



DRAWING TO BE READ IN CONJUNCTION WITH BS 8888

MESL Microwave Ltd



TYPE No.	FREQUENCY (GHz.)	TYPICAL			-10°C to +65°C.		
		INSERTION LOSS (dB Max.)	RETURN LOSS (dB Min)	ISOLATION (dB Min.)	INSERTION LOSS (dB Max.)	RETURN LOSS (dB Min)	ISOLATION (dB Min.)
LD 10601	1.0 - 1.2	0.3	23	23	0.4	20	20
LD 10602	1.2 - 1.4	0.3	23	23	0.4	20	20
LD 10603	1.4 - 1.6	0.3	23	23	0.4	20	20
LD 10604	1.6 - 1.8	0.3	23	23	0.4	20	20
LD 10605	1.8 - 2.0	0.3	23	23	0.4	20	20

Q.A.
DATE
PROD.REL.
DATE
ENG.APP.
DATE

C	15.04.10	DRN VARIOUS
ISSUE	DATE	MOD NUMBER

NOTES THIS UNIT IS RoHS COMPLAINT by DESIGN.
LIGHTLY REMOVE ALL BURRS AND SHARP EDGES U.O.S.

THIS DRAWING IS MESL Microwave Ltd. PROPERTY.
IT MAY NOT BE COPIED OR EXHIBITED WITHOUT WRITTEN PERMISSION.

A 3

MECH.ENG.	ORIGINAL NTS. SCALE DO NOT SCALE PRINT	MATERIAL	SPECIFICATION	GENERAL TOLERANCE U.O.S. (ISO2768-fH) 0 - 6,0 : ±0,05 120,0 - 400,0 : ±0,2 6,0 - 30,0 : ±0,1 400,0 - 1000,0 : ±0,3 30,0 - 120,0 : ±0,15 1000,0 - 2000,0 : ±0,5 Angular Dim : ±0,5° Symmetry ±0,05	RESPONSIBLE AUTHORITY	SECURITY CLASSIFICATION
DATE				FINISH TO BE 1.6 U.O.S.	TITLE	CONTRACTORS DRAWING NUMBER
DRAWN AB.	MASS (kg): N/A DENSITY (g/cm ³): N/A	FINISH BODY / LID & : SURTEC 650 Chomital. PLATES.		DIMENSION IN mm	1-2GHz COAX. ISOLATOR OUTLINE TYPE SEE TABLE	10601 to 10605-000-OL
DATE 17/12/09						SERVICE DRAWING NUMBER SHEET No. 1 OFF 1