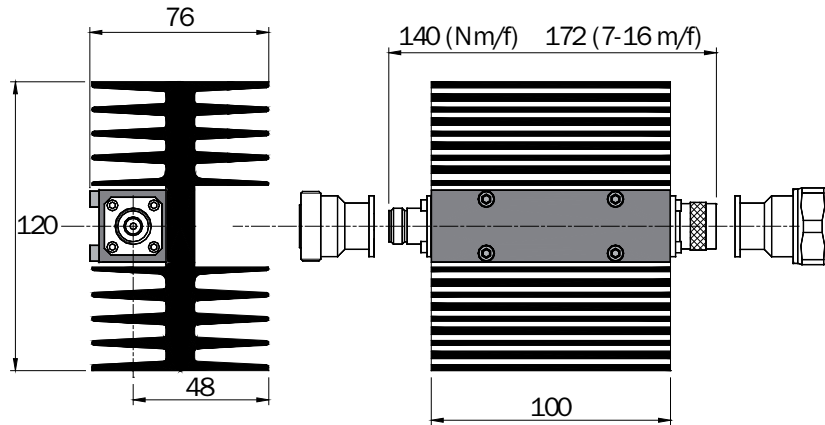
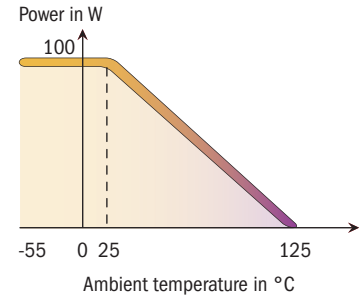




Standards  
NF C 96-315  
MIL-DTL-3933



|                      |                                  |
|----------------------|----------------------------------|
| Impedance            | 50 Ω ± 5%                        |
| Frequency            | DC - 6 GHz                       |
| Max VSWR             | ≤ 1.20 at 3 GHz, ≤ 1.30 at 6 GHz |
| Temperature range    | -55 to +125°C                    |
| Average power @ 25°C | 100 W                            |
| Weight               | 1,1 kg                           |



Dimensions in mm

| Attenuation (dB) | P/N (N m/f) | P/N (7-16 m/f) | Accuracy ±Δα (dB) |
|------------------|-------------|----------------|-------------------|
| 3                | 16-0616     | 16-0620        | 0.5               |
| 6                | 16-0629     | 16-0630        | 0.5               |
| 10               | 16-0617     | 16-0621        | 1                 |
| 20               | 16-0618     | 16-0622        | 1                 |
| 30               | 16-0619     | 16-0623        | 1                 |
| 40               | 16-6804     | 16-6852        | 1.5               |

**Option** Pulse applications 5kV peak

Others attenuations on request

