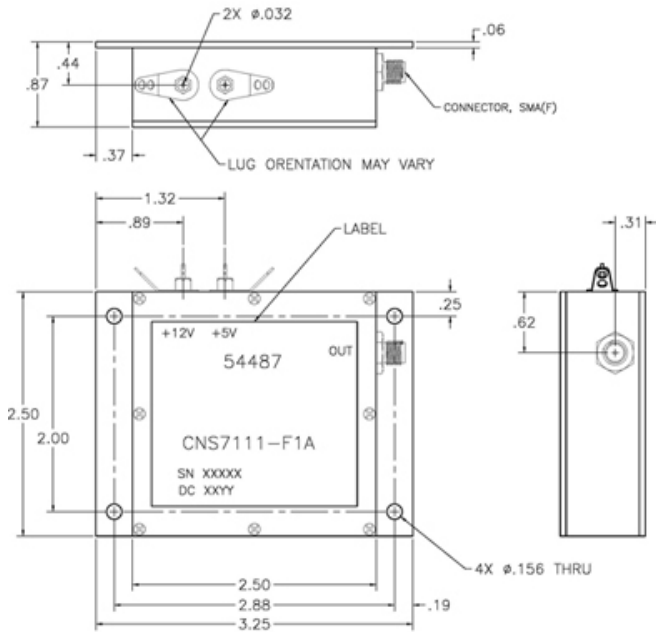


SPEC SHEET

# CNS7111-F1A

## 50 kHz to 1 GHz

High Power Broadband Noise Sources



### Specifications

RF Frequency	50 kHz to 1 GHz
Noise Output	55-60 dB ENR
Noise Spectral Density ( $N_0$ )	-119 dBm/Hz Min
Flatness	4 dB P-P Max
Peak Factor	5:01
Bias Voltage	5 at 80 mA V 12 at 15 mA V
Supply Current	50 mA Max
Impedance	50 ohms

### Package and Connectivity

Construction	Coaxial
Connector Type	SMA(f)

### Environmental

Operating Temperature	-40 to 85 °C
Storage Temperature	-55 to 125 °C

### Notes



MERCURY COMMERCIAL ELECTRONICS

Microwave RF Components | Hudson, NH | (603) 546-4100 | [rf.mrcy.com](http://rf.mrcy.com)  
 Specifications subject to change without notice

