



## Bulkhead Isolated Ground BNC Triax Female to BNC Triax Female Adapter

### TECHNICAL DATA SHEET

PE91105

#### Bulkhead Isolated Ground BNC Triax Female to BNC Triax Female Adapter

##### Configuration

Connector 1	BNC Triax Female
Impedance 1	Non-Constant
Connector 2	BNC Triax Female
Impedance 2	Non-Constant
Adapter Design	Standard
Body Style	Straight
Mount Method	Bulkhead
Isolated Ground / Hermetic	Isolated Ground

##### Electrical Specifications

Frequency Range, MHz	DC to 500
Maximum Operating Voltage, Volts	500
Dielectric Withstanding Voltage, Vrms	1,500

##### Mechanical Specifications

###### Temperature

Operating Range, deg C	-65 to +165
------------------------	-------------

###### Size

Length, in [mm]	1.35 [34.29]
Width/Dia., in [mm]	0.8 [20.32]

##### Connector 1

Type	BNC Triax Female
Inner Conductor Material and Plating	Gold
Outer Conductor Material and Plating	Brass, Nickel
Body Material and Plating	Brass, Nickel

##### Connector 2

Type	BNC Triax Female
Inner Conductor Material and Plating	Gold
Outer Conductor Material and Plating	Brass, Nickel
Body Material and Plating	Brass, Nickel

##### Compliance Certifications (visit [www.Pasternack.com](http://www.Pasternack.com) for current document)

RoHS Compliant	Yes
----------------	-----

Click the following link (or enter part number in "SEARCH" on website) to obtain additional part information including price, inventory and certifications: [Bulkhead Isolated Ground BNC Triax Female to BNC Triax Female Adapter PE91105](#)

The information contained in this document is accurate to the best of our knowledge and representative of the part described herein. It may be necessary to make modifications to the part and/or the documentation of the part, in order to implement improvements. Pasternack reserves the right to make such changes as required. Unless otherwise stated, all specifications are nominal.



## Bulkhead Isolated Ground BNC Triax Female to BNC Triax Female Adapter

### TECHNICAL DATA SHEET

PE91105

#### Plotted and Other Data

Notes:

Values at 25 °C, sea level

Bulkhead Isolated Ground BNC Triax Female to BNC Triax Female Adapter from Pasternack Enterprises has same day shipment for domestic and International orders. Our RF, microwave and fiber optic products maintain a 99% availability and are part of the broadest selection in the industry.

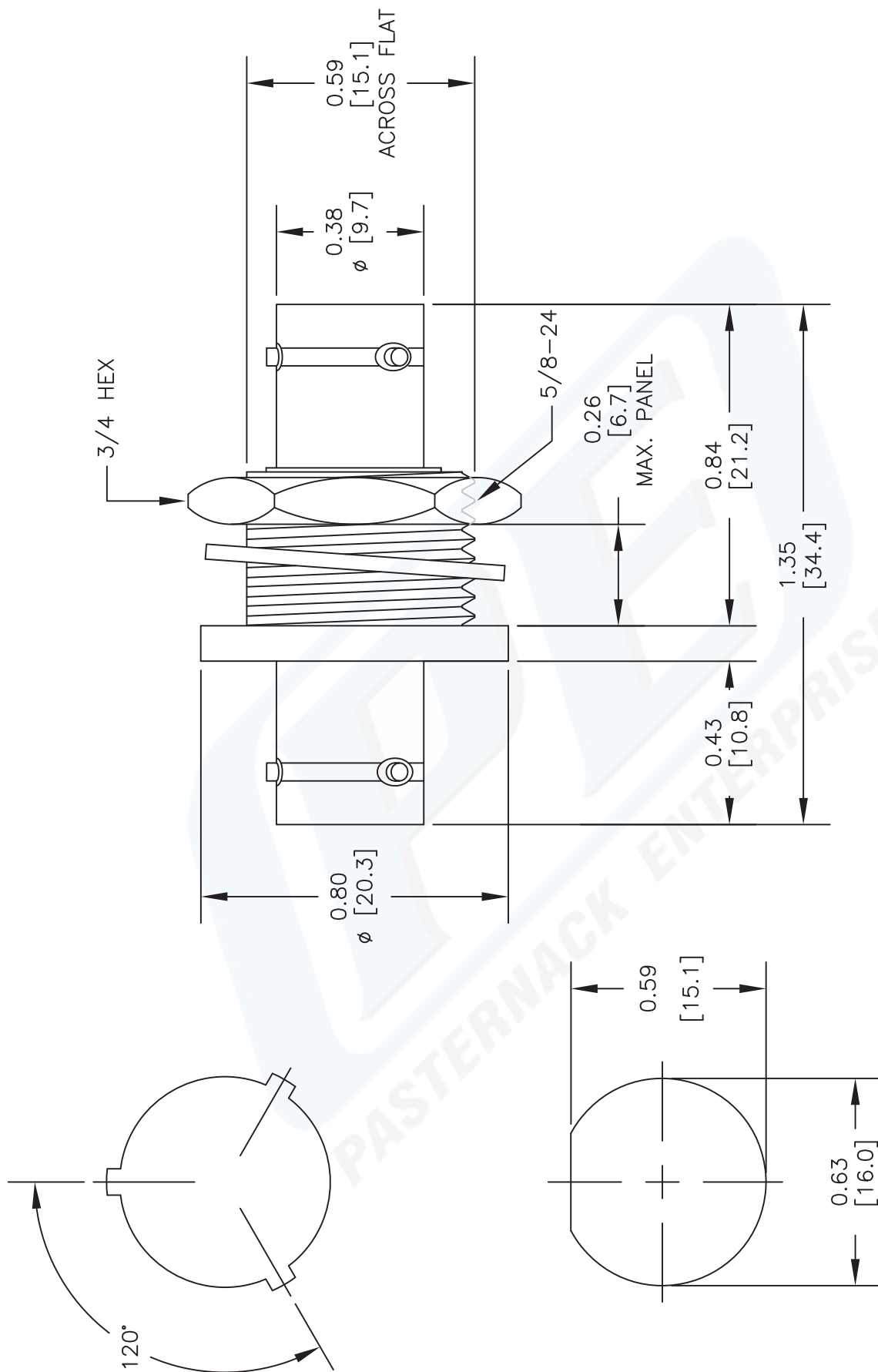
Click the following link (or enter part number in "SEARCH" on website) to obtain additional part information including price, inventory and certifications: [Bulkhead Isolated Ground BNC Triax Female to BNC Triax Female Adapter PE91105](#)

URL: <http://www.pasternack.com/bnc-triax-female-bnc-triax-female-straight-adapter-pe91105-p.aspx>

The information contained in this document is accurate to the best of our knowledge and representative of the part described herein. It may be necessary to make modifications to the part and/or the documentation of the part, in order to implement improvements. Pasternack reserves the right to make such changes as required. Unless otherwise stated, all specifications are nominal.

# PE91105 CAD Drawing

Bulkhead Isolated Ground BNC Triax Female to BNC Triax Female Adapter



MOUNTING HOLE



Pasternack Enterprises, Inc.  
 P.O. Box 16759 | Irvine | CA | 92623  
 Phone: (949) 261-1920 | Fax: (949) 261-7451  
 Website: www.pasternack.com | E-Mail: sales@pasternack.com

DWG TITLE  
**PE91105**

FSCM NO. 53919

NOTES:  
 1. UNLESS OTHERWISE SPECIFIED ALL DIMENSIONS ARE NOMINAL.  
 2. ALL SPECIFICATIONS ARE SUBJECT TO CHANGE WITHOUT NOTICE AT ANY TIME.  
 3. DIMENSIONS ARE IN INCHES [mm].

CAD FILE 092613

SCALE N/A

SIZE A

150