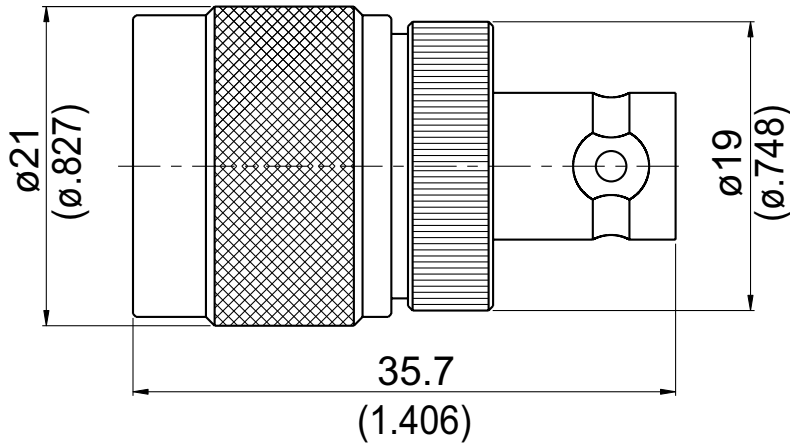


AD-N3B9

N Plug To BNC Reverse Polarity Jack 50Ω



Typical VSWR

Part Number	1 GHz	2 GHz	3 GHz	4 GHz
AD-N3B9	1.11	1.17	1.2	1.2

Parts	Material	Plating (Micro-inch)
Insulator	Teflon	
Body	Brass	Tin-Zinc-Copper-Alloy 100 Over Copper 50
Contact Body	Brass	Tin-Zinc-Copper-Alloy 100 Over Copper 50
Retainer Ring	Brass	Tin-Zinc-Copper-Alloy 100 Over Copper 50
Gasket	Silicon	
Coupling Nut(N)	Brass	Tin-Zinc-Copper-Alloy 100 Over Copper 50
Contact Pin	Brass	Gold 10 Over Nickel 50 Over Copper 50

Weight: 40.2 g

This part number complies with RoHS.

Notice: JYEBAO reserves the right to make modifications deemed appropriate.