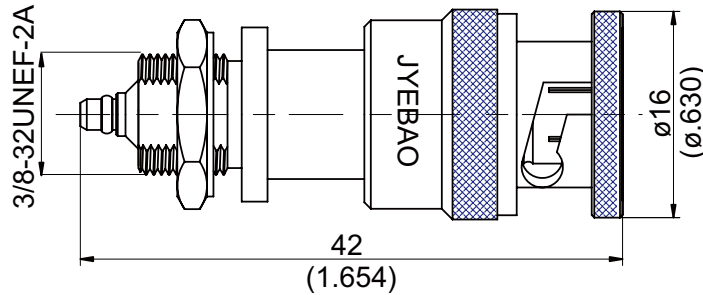
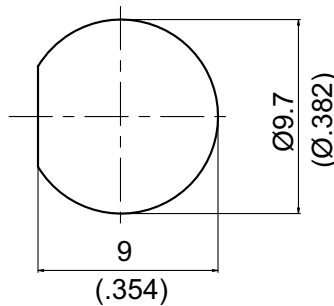


ADNP-E3B3-BFA

BNC Plug To MMCX Plug For Bulkhead 50Ω



MOUNTING HOLE:



Typical VSWR

Part Number	1Ghz	2Ghz	3Ghz	4Ghz	5Ghz
ADNP-E3B3-BFA	1.17	1.17	1.22	1.3	1.3

Parts	Material	Plating (Micro-inch)
Insulator	Teflon	
Spring	SK5	Tin-Zinc-Copper-Alloy 100 Over Copper 50
Contact Pin	Brass	Gold 10 Over Nickel 50 Over Copper 50
Renber Ring	Beryllium Copper	Gold 5 Over Nickel 50 Over Copper 50
Washer	Brass	Tin-Zinc-Copper-Alloy 100 Over Copper 50
Body(BNC)	Brass	Tin-Zinc-Copper-Alloy 100 Over Copper 50
Body(MMCX)	Brass	Gold 5 Over Nickel 50 Over Copper 50
Gasket	Silicon	Tin-Zinc-Copper-Alloy 100 Over Copper 50
Hex Nut	Brass	Tin-Zinc-Copper-Alloy 100 Over Copper 50
Coupling Nut	Stainless	Passivated

Weight:

This part number complies with RoHS.

Notice: JYEBAO reserves the right to make modifications deemed appropriate.