

## Microstrip Dual Junction Circulator

Part Number: KTMC-1502AS1

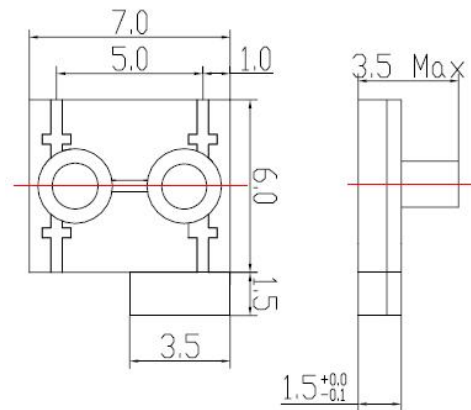
### Main Features:

- Frequency Range: 15GHz - 17GHz
- Small Size, Low Profile, Compact Design
- High Isolation, Low Insertion Loss
- Wide Operating Temperature : -40°C~+70°C
- Commercial, Military and Space Applications

### Electrical Specifications at Room Temperature:

Part Number	Freq. Range (GHz)	Bandwidth Max. (MHz)	Insertion Loss Max. (dB)	Isolation Min. (dB)	VSWR Max.	Reverse Power (W)	Dimension (mm)
KTMC-1502AS1	15 - 17	full	0.6(1-2) 1.1(2-3)	20(2-1) 25(3-2)	1.35	20	7*6*3.5

### Mechanical Dimensions (mm):



### HOW TO ORDER

