

Precision SMA Male to SMA Male Adapter



TECHNICAL DATA SHEET

PE9505

Precision SMA Male to SMA Male Adapter

Configuration

Connector 1	SMA Male
Connector 2	SMA Male
Adapter Design	Precision
Body Style	Straight

Electrical Specifications

Frequency Range, GHz	DC to 26.5
Impedance, Ohms	50
Maximum VSWR	1.2:1

Mechanical Specifications

Size

Length, in [mm]	0.86 [21.84]
Width/Dia., in [mm]	0.313 [7.95]
Dielectric Type	PTFE

Connector 1

Type	SMA Male
Inner Conductor Material and Plating	Beryllium Copper, Gold
Inner Conductor Plating Specification	MIL-G-45204
Coupling Nut Material and Plating	Stainless Steel, Passivated
Coupling Nut Plating Specification	ASTM A380
Hex Size, in	5/16
Torque, in-lbs [Nm]	8 [0.9]
Body Material and Plating	Stainless Steel, Passivated
Body Plating Specification	ASTM A380

Connector 2

Type	SMA Male
Inner Conductor Material and Plating	Beryllium Copper, Gold
Inner Conductor Plating Specification	MIL-G-45204
Coupling Nut Material and Plating	Stainless Steel, Passivated
Coupling Nut Plating Specification	ASTM A380
Hex Size, in	5/16
Torque, in-lbs [Nm]	8 [0.9]
Body Material and Plating	Stainless Steel, Passivated
Body Plating Specification	ASTM A380

Click the following link (or enter part number in "SEARCH" on website) to obtain additional part information including price, inventory and certifications: [Precision SMA Male to SMA Male Adapter PE9505](#)

The information contained in this document is accurate to the best of our knowledge and representative of the part described herein. It may be necessary to make modifications to the part and/or the documentation of the part, in order to implement improvements. Pasternack reserves the right to make such changes as required. Unless otherwise stated, all specifications are nominal.



Precision SMA Male to SMA Male Adapter

TECHNICAL DATA SHEET

PE9505

Compliance Certifications (visit www.Pasternack.com for current document)

RoHS Compliant

Yes

Plotted and Other Data

Notes:

Values at 25 °C, sea level

URL: <http://www.pasternack.com/sma-male-sma-male-straight-adapter-pe9505-p.aspx>

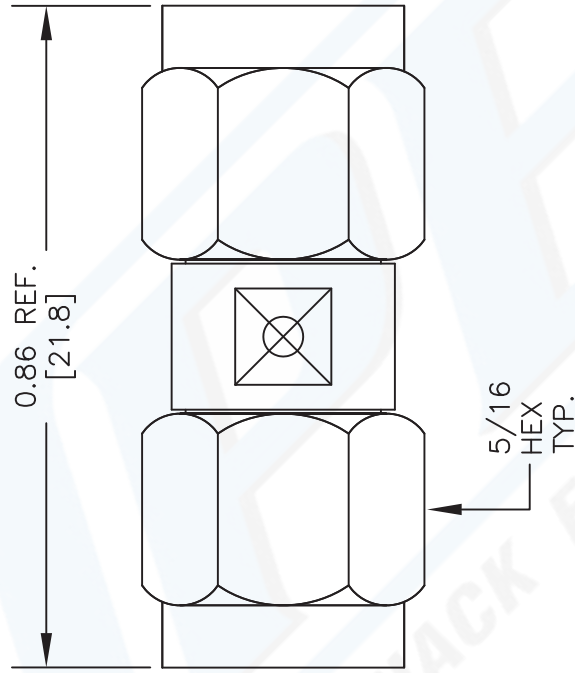
Precision SMA Male to SMA Male Adapter from Pasternack Enterprises has same day shipment for domestic and International orders. Our RF, microwave and fiber optic products maintain a 99% availability and are part of the broadest selection in the industry.

The information contained in this document is accurate to the best of our knowledge and representative of the part described herein. It may be necessary to make modifications to the part and/or the documentation of the part, in order to implement improvements. Pasternack reserves the right to make such changes as required. Unless otherwise stated, all specifications are nominal.



PE9505 CAD Drawing

Precision SMA Male to SMA Male Adapter



NOTES:
 1. UNLESS OTHERWISE SPECIFIED ALL DIMENSIONS ARE NOMINAL.
 2. ALL SPECIFICATIONS ARE SUBJECT TO CHANGE WITHOUT NOTICE AT ANY TIME.
 3. DIMENSIONS ARE IN INCHES [mm].

DWG TITLE
PE9505

FSCM NO. 53919

2233

SIZE A

SCALE N/A

110112-A

CAD FILE

PE PASTERNAK®
 Pasternack Enterprises, Inc.
 P.O. Box 16759 | Irvine | CA | 92623
Phone: (949) 261-1920 | **Fax:** (949) 261-7451
Website: www.pasternack.com | **E-Mail:** sales@pasternack.com